

Lockout Panels

Overview

AC General makes a series of electrical lockout panels that serve two functions

- Provide a primary power entry point to connect the facility power
- Allow a system maintainer to physically lockout the electrical power from the equipment rack so that your system can be serviced safely and effectively

In today's complicated and fast productions schedules, don't take chances with worker and system safety. These panels provide positive lockout and will meet your most stringent Lockout/Tagout requirements.

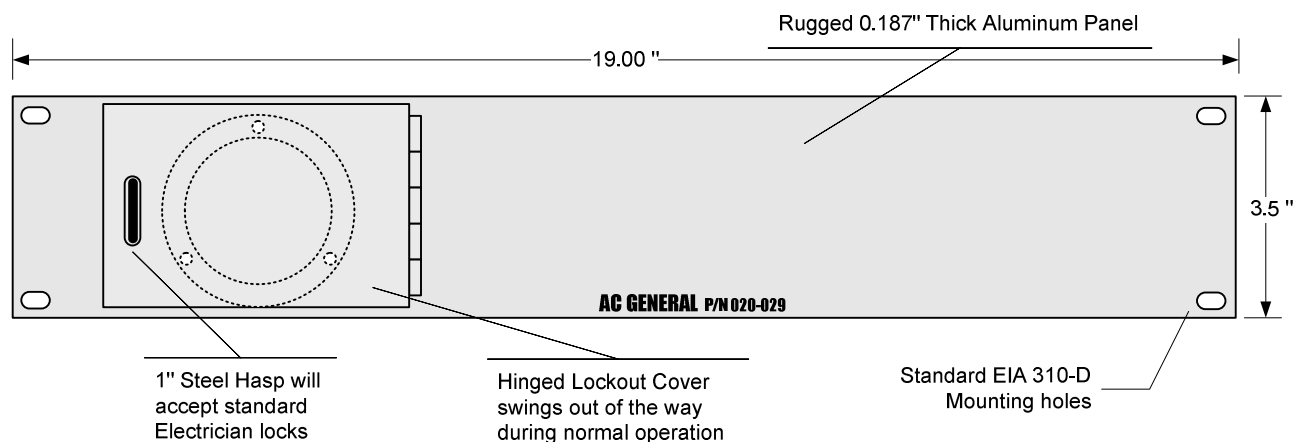
Panels are available for 20/30/60/100A configurations and 60 & 400Hz and they accept a variety of "Twist-Lock" and IEC 60309-1 "Pin & Sleeve" connectors

If you don't see a Lockout Panel configuration that works for your application, contact us. AC General has created a wide variety of lockout panels to leverage a solution for your unique needs.

Part Number List

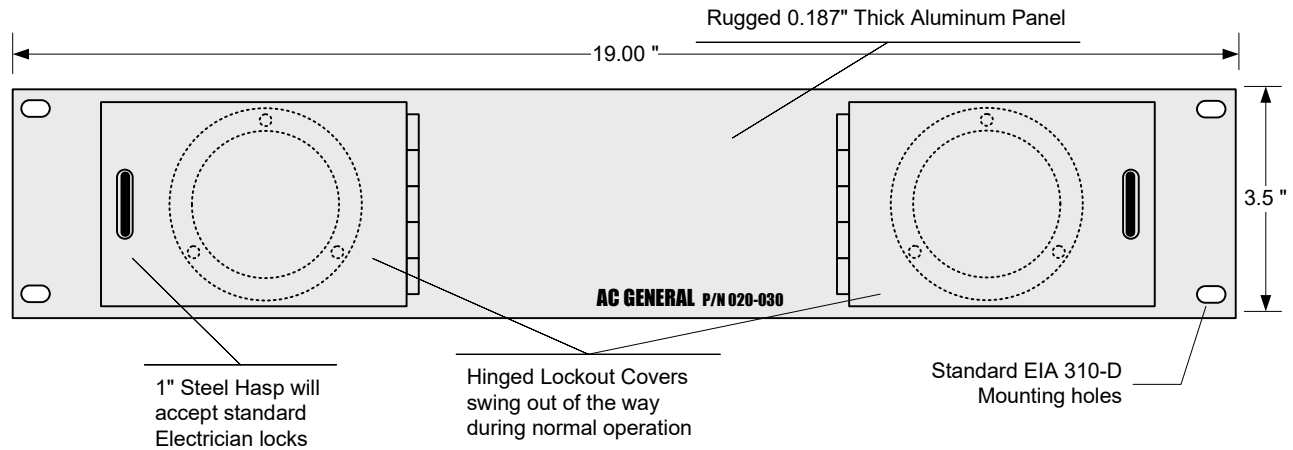
- P/N 020-032
- P/N 020-029
- P/N 020-030
- P/N 020-060
- P/N 020-065
- P/N 020-106
- P/N 020-106-100

20 & 30 Amp Three Phase Lockout Panel- P/N 020-029



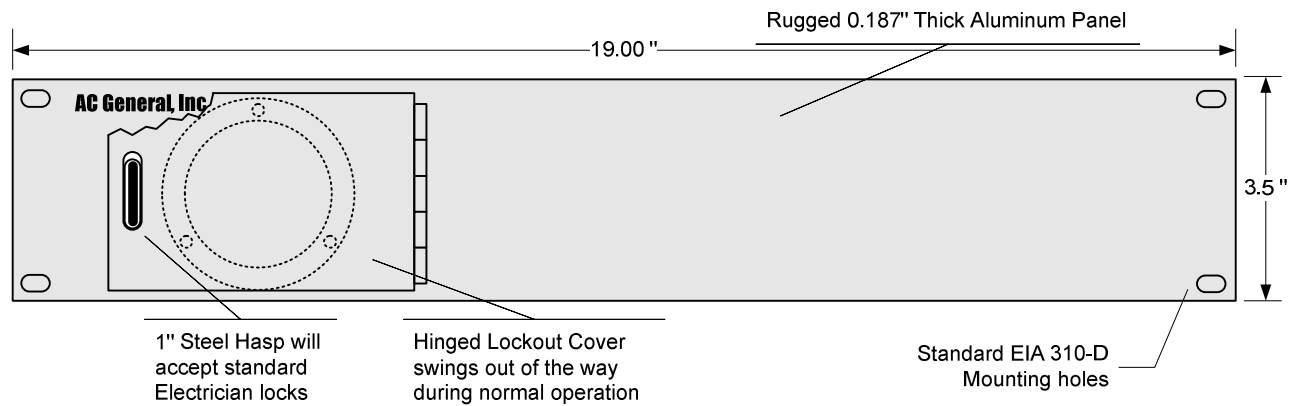
- Designed for 20 and 30A 4P/5W (120/208, 277/480, and 347/600VAC) NEMA Flanged Inlet connectors:
 - 20A: NEMA L21-20P thru L23-20P
 - 30A: NEMA L21-20P thru L23-30P
 - 20A/400Hz (non-NEMA, Hubbell 45985CL)
- Solid Aluminum panel, 3/16" Thickness, painted FS595, #26408 (light gray)
- Hinged cover(s) fold completely out of the way when connector is inserted
- Will accept standard Electrician lock (not included)

Dual Source Three Phase Lockout Panel- P/N 020-030



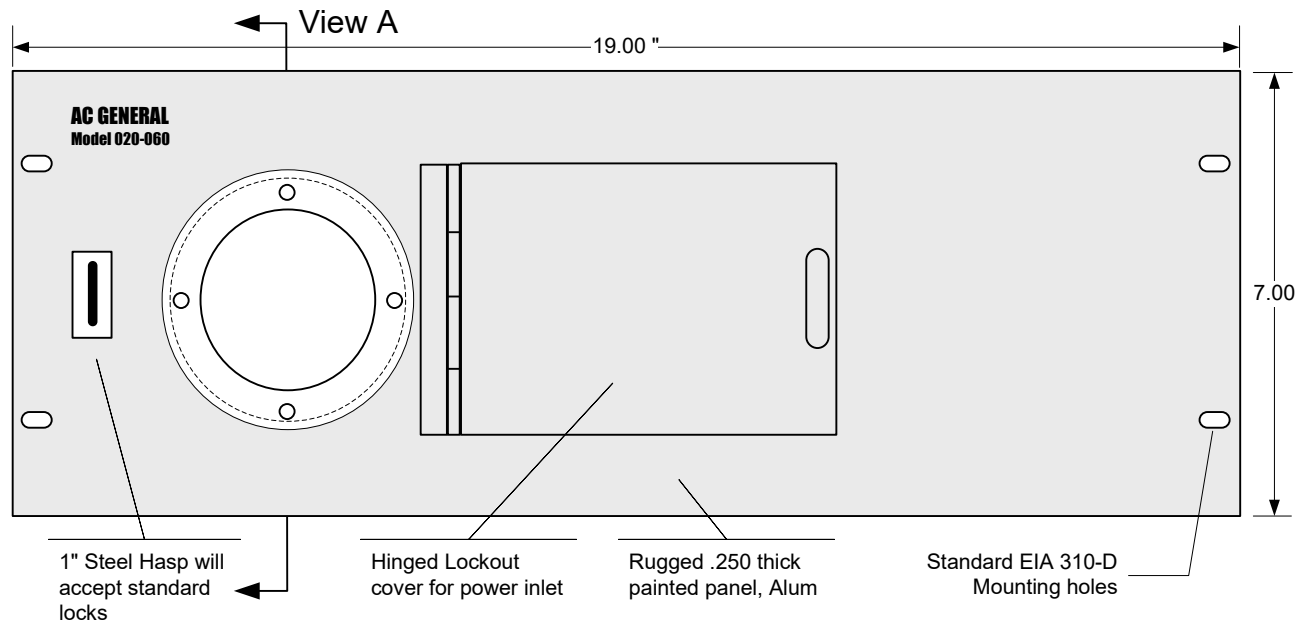
- Allows for two power input connectors (or alternatively, one input connector and one output connector)
- Either Panel will accept 20 and 30A three phase NEMA Flanged Inlet connectors:
 - 20A: NEMA L14 thru L23-20P
 - 30A: NEMA L14 thru L23-30P
 - 20A/400Hz (non-NEMA, Hubbell 45985CL)
- Solid Aluminum panel, 3/16" Thickness, painted FS595, #26408 (light gray)
- Hinged cover(s) fold completely out of the way when connector is inserted
- Will accept standard Electrician lock (not included)

20 & 30 Amp Single Phase Lockout Panel- P/N 020-032



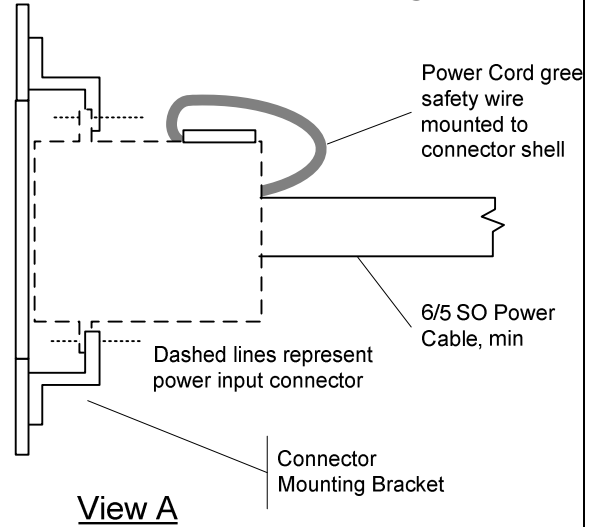
- Designed for 20 and 30A 2P/3W (125/250/277VAC) NEMA Flanged Inlet connectors:
 - 20A: NEMA L5-20P thru L7-20P
 - 30A: NEMA L5-20P thru L7-30P
- Solid Aluminum panel, 3/16" Thickness
- Hinged cover folds completely out of the way when connector is inserted
- Will accept standard Electrician lock (not included)

60A Three Phase Lockout Panel- P/N 020-060

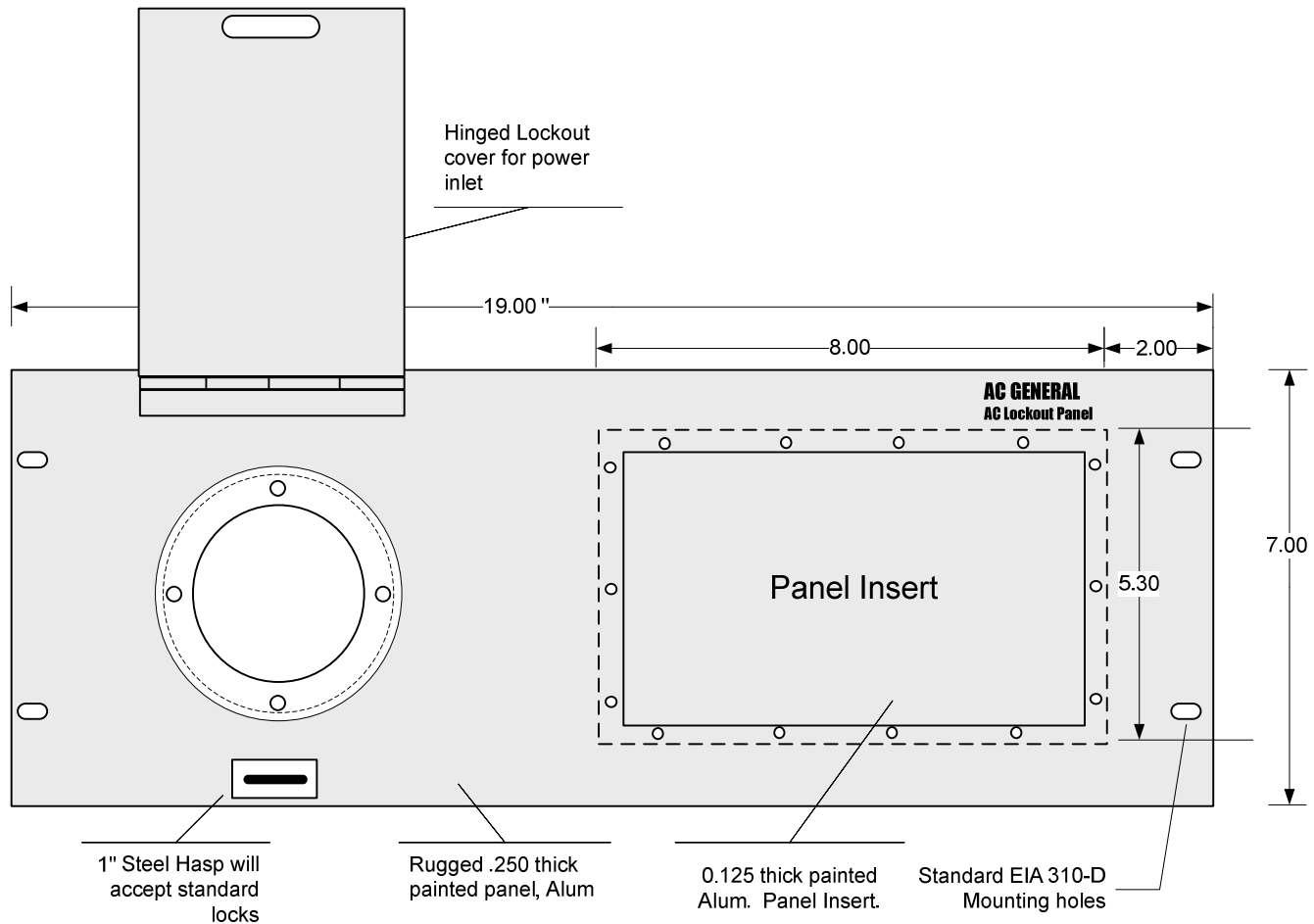


- Panel Hole will accept Hubbell 26522, Three Phase 60Amp Flanged Mount HUBBLELOCK Connector
- Solid ¼" Aluminum panel won't bend or flex
- Hinged cover(s) fold completely out of the way when connector is inserted
- Will accept standard Electrician lock (not included)

Connector Mounting

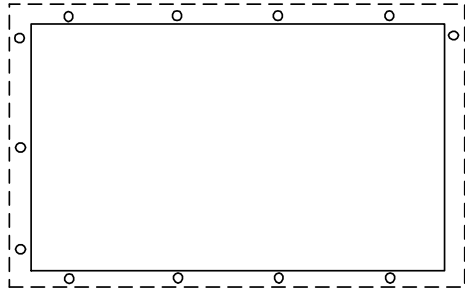


60A Three Phase Lockout Panel with I/O Panel Insert- P/N 020-065

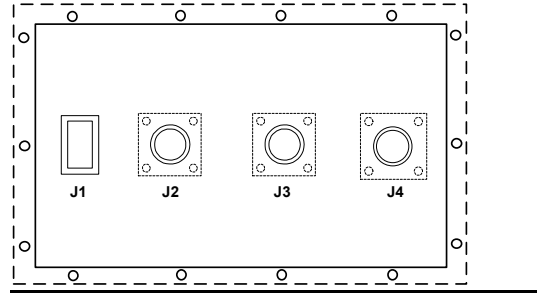


- Panel Hole will accept Hubbell 26522, Three Phase 60Amp Flanged Mount HUBBLELOCK Connector
 - Same connector mounting as P/N 020-060
- Solid ¼" Aluminum panel won't bend or flex

- Hinged cover folds out of the way when connector is inserted
- Will accept standard Electrician lock (not included)
- Panel inserts are adaptable to User needs. Two example panels are shown. *Contact AC General with your unique requirements*

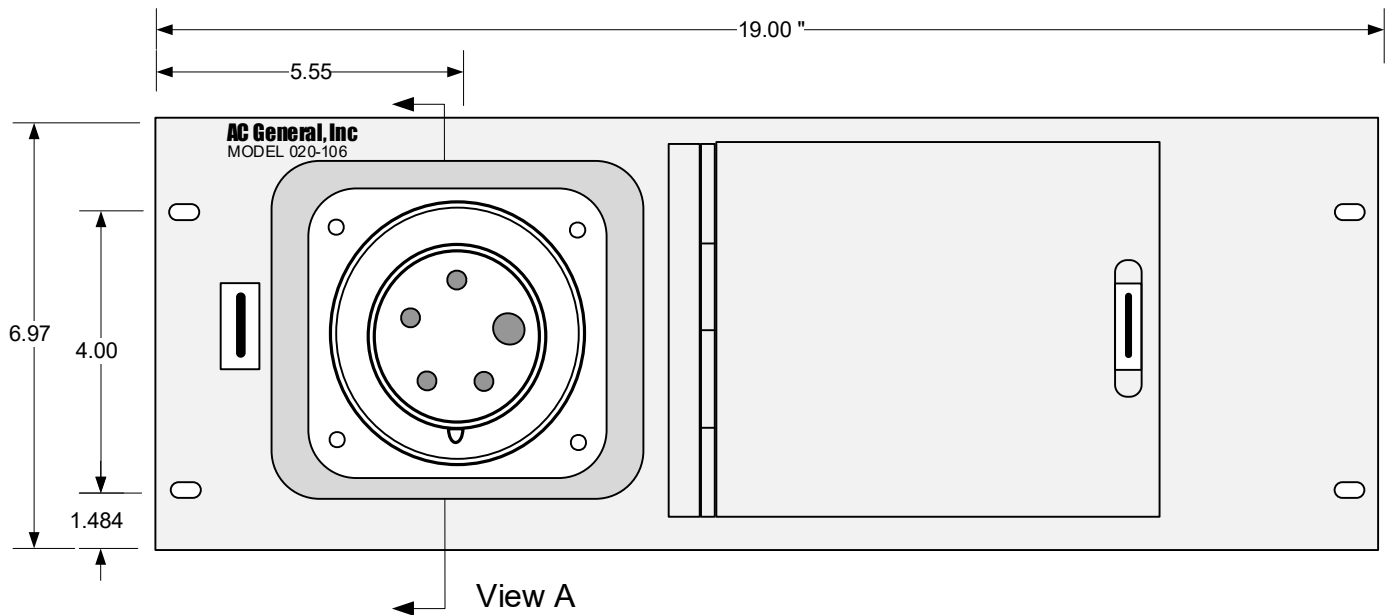


Insert Part Number: 040-190-1
Blank Panel



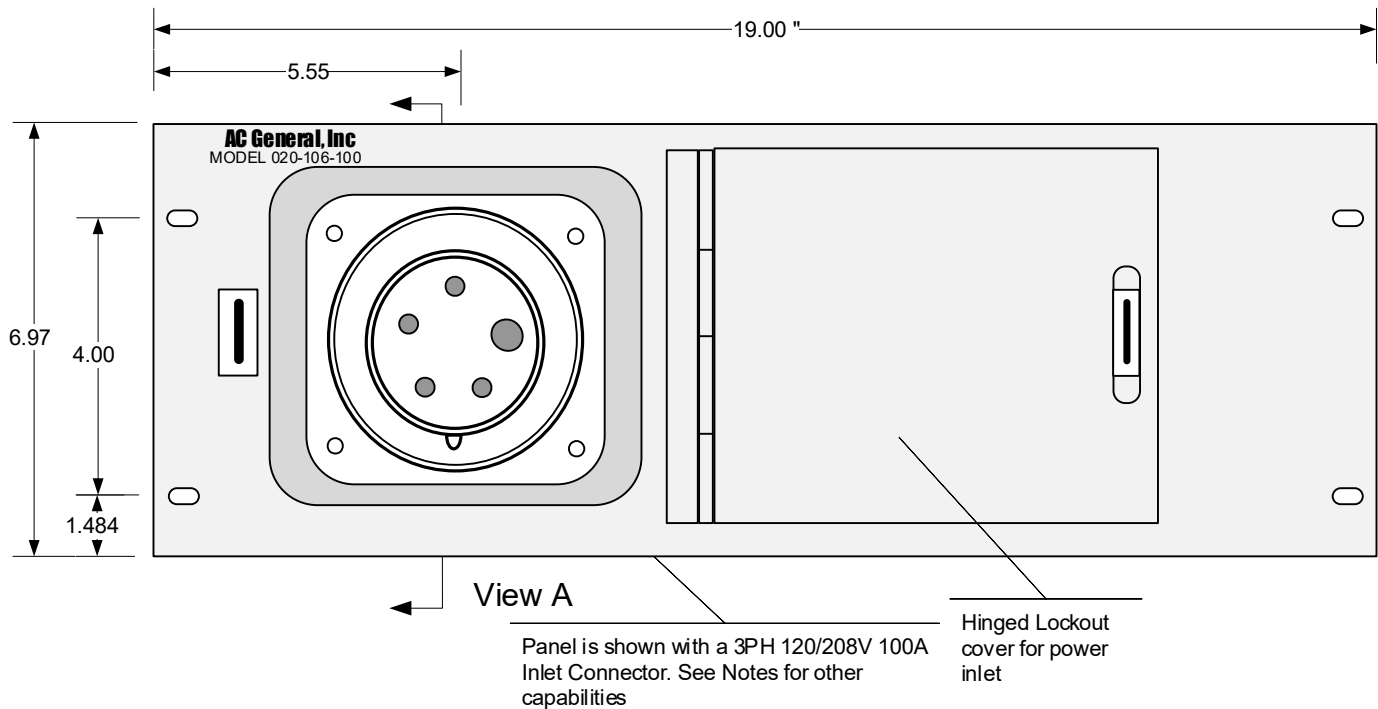
Insert Part Number: 040-190-2
Panel w/ cutout for Ethernet jack and (3) circular connectors

60A IEC Pin/Sleeve Lockout Panel- P/N 020-106

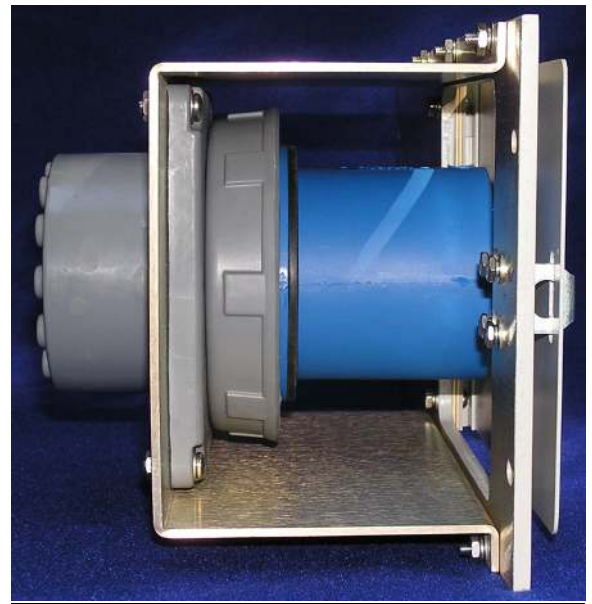
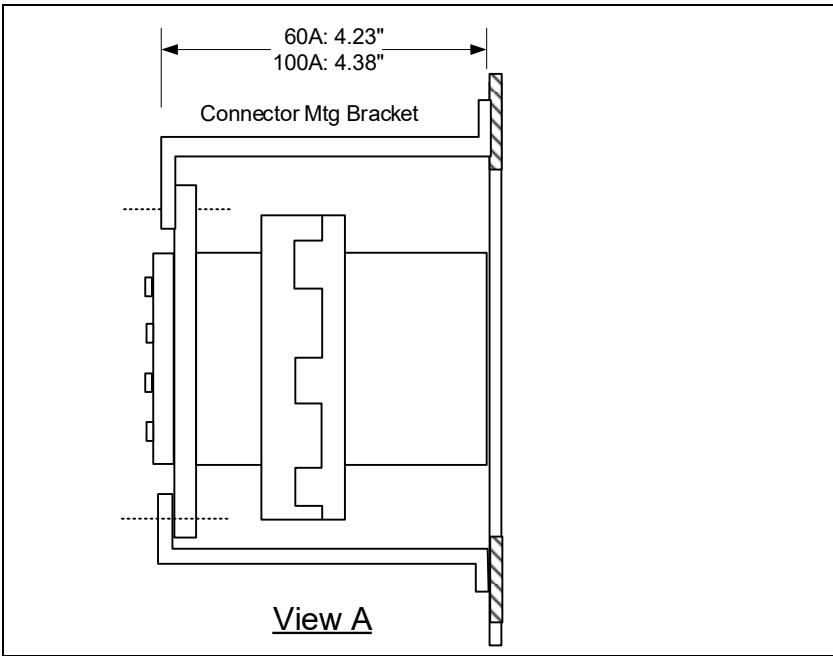


- Compliant to IEC 60309-1/2 Connector Standards
 - Hubbell, Leviton, Mennekes, Eaton, ElecDirect
- Panel Hole will accept 2P/3W, 3P/4W, and 4P/5W 60Amp Flanged Pin and Sleeve INLET connector
- Suitable for all 60A Voltage Ratings:
 - 125, 250, 480, 125/250, 3PH 250, 3PH 480, 3PH 600, 3PH 120/208 (*), 3PH 277/480, 3PH 347/600
 - (*) 60A 4P/5W 120/208VAC shown above
- Solid 1/4" Aluminum panel won't bend or flex
- Hinged cover folds completely out of the way when connector is inserted
- Will accept standard Electrician lock (not included)

100A IEC Pin/Sleeve Lockout Panel- P/N 020-106-100



- Compliant to IEC 60309-1/2 Connector Standards
 - Hubbell, Leviton, Mennekes, Eaton, ElecDirect
- Panel Hole will accept 2P/3W, 3P/4W, and 4P/5W 100Amp Flanged Pin and Sleeve INLET connector
- Suitable for all 100A Voltage Ratings:
 - 125, 250, 480, 125/250, 3PH 250, 3PH 480, 3PH 600, 3PH 120/208 (*), 3PH 277/480, 3PH 347/600
 - (*) 100A 4P/5W 120/208VAC shown above
- Solid 1/4" Aluminum panel won't bend or flex
- Hinged cover folds completely out of the way when connector is inserted
- Will accept standard Electrician lock (not included)



Notes:

- Connectors are not included, unless specified
- Construction: Alum, chromate coating
- Color/Front: Lt Grey Enamel, FS595 Chip #26496
 - Optional Color: Black
 - Add suffix -BL to part number
- Silkscreen Labeling
- Stainless steel hardware