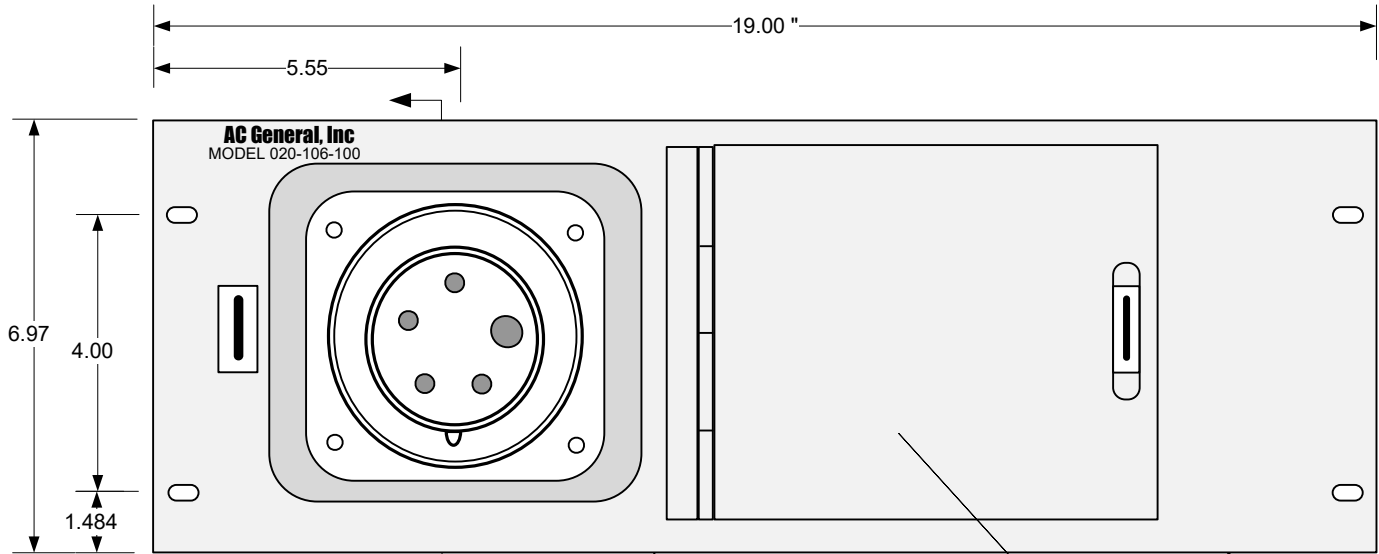


REV.	DESCRIPTION	DATE	BY
0	Doc Update	8/15/24	JB

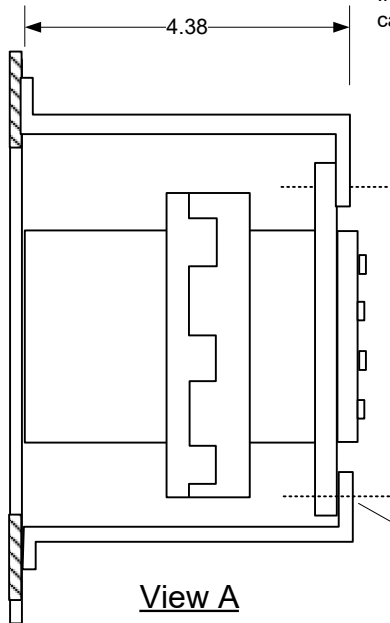


View A

Panel is shown with a 3PH 120/208V 100A Inlet Connector. See Notes for other capabilities

Hinged Lockout cover for power inlet

Dim: 19.00" x 7.00" x 0.250"  
Color: FS 595 Chip 26496 (light gray)  
EIA-310D Compliant



View A

Connector Mounting Bracket

**Notes:**

- 1- Design is compliant to IEC 60309-1/60309-2 Connector mounting.
- 2- Flanged inlet and mating connectors must be ordered separately
- 3- The mounting bracket will accept any 100A IEC 60309 compliant INLET connector (Hubbell, Leviton, Mennekes, Eaton, ElecDirect)
- 4- Suitable for all 100A Voltage Ratings:
  - 125, 250, 480, 125/250, 3PH 250, 3PH 480, 3PH 600, 3PH 120/208 (\*), 3PH 277/480, 3PH 347/600
  - (\*) 100A 4P/5W 120/208VAC shown above

<b>AC General, Inc.</b>		10 Technology Drive #316 Hudson, MA 01749 (978) 568-8229	
AC Lockout Panel, Single Input, IEC Pin and Sleeve, 100 Amp, Single or Three Phase			
SK 020-106-100.vsd	SIZE A	FSCM NO	DWG NO SK 020-106-100
Print date: 8/16/2024	SCALE 1 : 1	SHEET 1 OF 1	REV 0