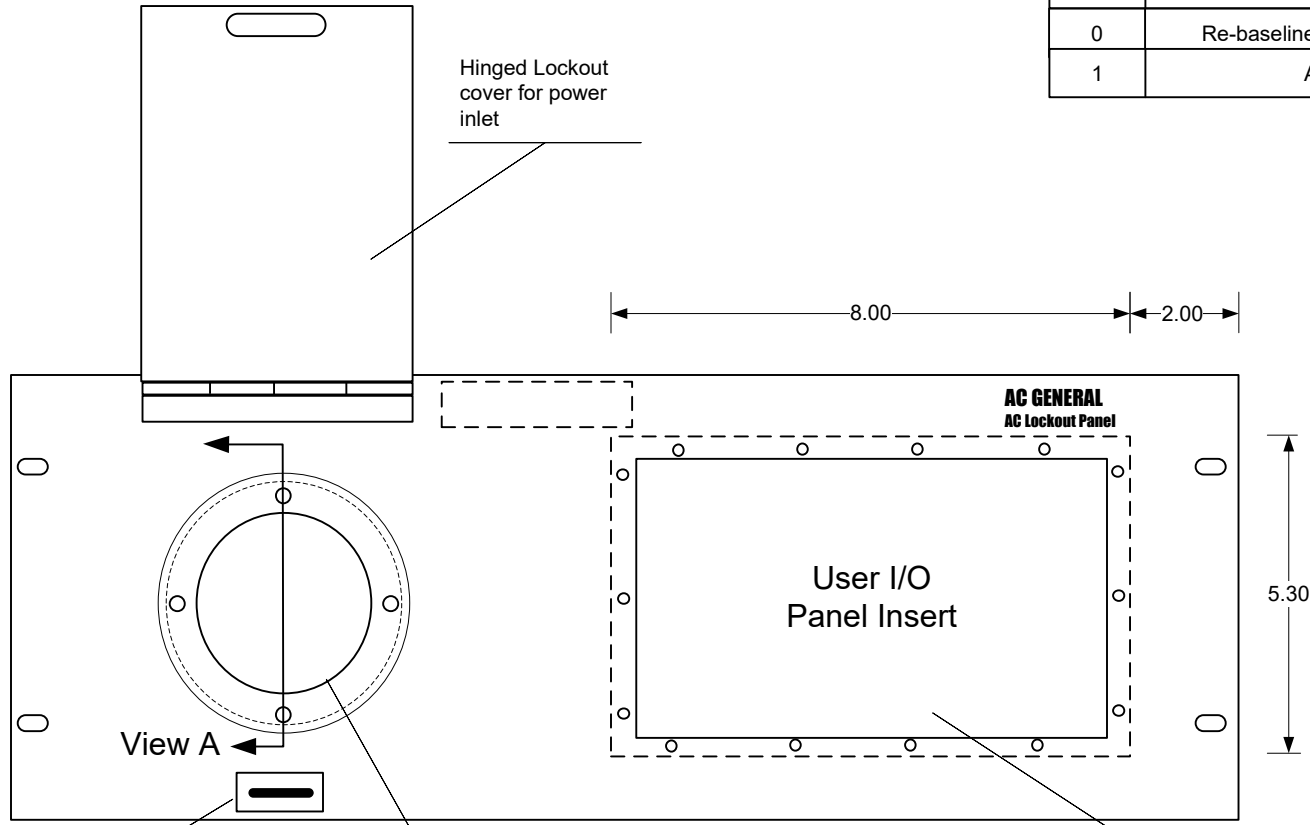


REV.	DESCRIPTION	DATE	BY
0	Re-baseline with updated color options	12/20/18	JB
1	Add SOCN Label	05/07/19	SB



1" Steel Hasp will accept standard locks

Panel Hole Dia: 2.69", (4) mtg Holes, 3/16" dia, equally spaced on 3.50" bolt circle

Dim: 19.00" x 7.00" x 0.250"  
EIA-310D Compliant

- User I/O Panel Insert , 0.125 thick painted Alum. panel  
- Specified separately (see Insert Configuration Table)

**Notes:**

Designed for (1) Three Phase 60Amp Flanged HUBBLELOCK Connector:

- Hubbell P/N 26522

- P/N 020-065 is sold without a Panel Insert

- Panel Insert can be customized to accommodate various connector cut-outs

- Insert sold separately

- Contact AC General for patterns

- Part Number ordering information for panel color

- P/N 020-065

Light Gray/Black silkscreen labeling, FS 595 Chip #26496

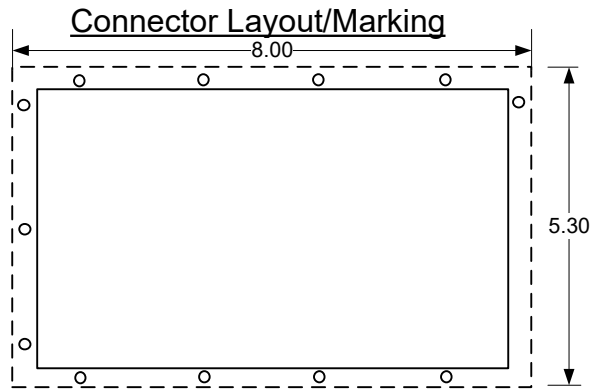
- P/N 020-065-BL

Black/White silkscreen labeling, FS 595 Chip #37038

<b>AC General, Inc.</b>		10 Technology Drive #316 Hudson, MA 01749 (978) 568-8229	
AC Lockout Panel, 60 Amp, Three Phase, with I/O Panel Insert			
SK 020-065 Rev 1.vsd	SIZE A	FSCM NO	DWG NO SK 020-065
Print date: 8/16/2024	SCALE 1 : 1	SHEET 1 OF 3	REV 1

**PANEL INSERT CONFIGURATIONS [For Reference Only]**

REV.	DESCRIPTION	DATE	BY
0	Re-baseline with updated color options	12/20/18	JB
1	Add SOCN Label	05/07/19	SB

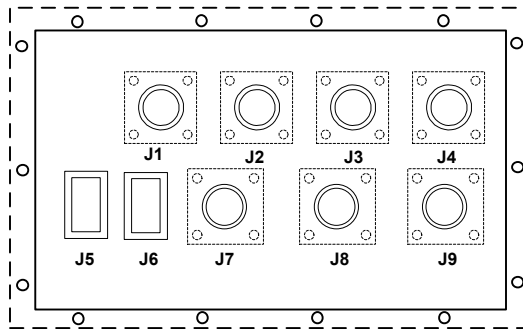


Part Number

Specifications

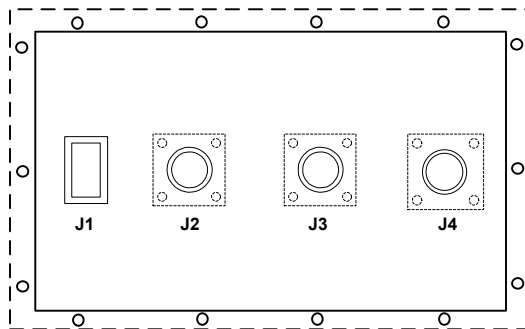
040-191-2

Blank Panel (Refer to P/N 040-191-2 drawing)



040-191-1

Custom Panel (Refer to P/N 040-191-1 drawing)



040-191-3

Custom Panel (Refer to P/N 040-191-3 drawing for panel color options)

**AC General, Inc.**

10 Technology Drive #316  
Hudson, MA 01749  
(978) 568-8229

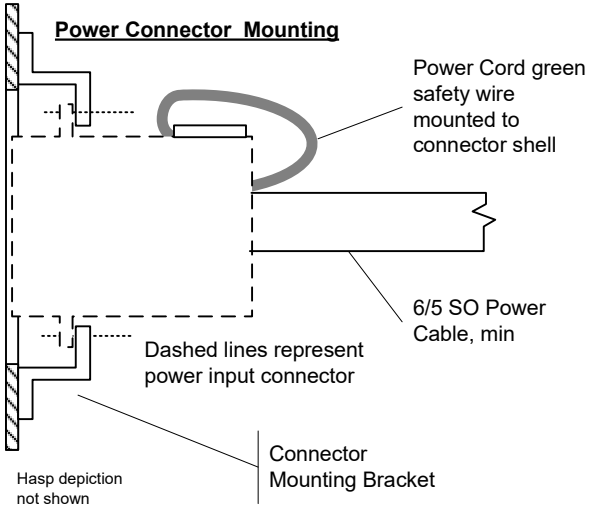
AC Lockout Panel, 60 Amp, Three Phase, with I/O Panel Insert

SK 020-065 Rev 1.vsd	SIZE A	FSCM NO	DWG NO SK 020-065	REV 1
Print date: 8/16/2024	SCALE	1 : 1	SHEET	2 OF 3

REV.	DESCRIPTION	DATE	BY
0	Re-baseline with updated color options	12/20/18	JB
1	Add SOCN Label	05/07/19	SB

**Mounting Instructions**

- 1- Remove Mounting Bracket from the Inlet Panel
- 2- Disassemble the inlet connector
- 3- Slide power cable through the bracket center hole and through the connector shell
- 4- Install the power cable wires to connector body, observing phase numbering (0.5" wire strip length, 0.25" Hex screw, tightened to 75 pound-inches)
- 5- connect green safety ground wire to the outer connector shell ground screw plate
- 6- Mount the connector to the mounting bracket and reattach to the Lockout Panel



<b>AC General, Inc.</b>		10 Technology Drive #316 Hudson, MA 01749 (978) 568-8229	
AC Lockout Panel, 60 Amp, Three Phase, with I/O Panel Insert			
SK 020-065 Rev 1.vsd	SIZE A	FSCM NO	DWG NO SK 020-065
Print date: 8/16/2024	SCALE 1 : 1	SHEET 3 OF 3	REV 1