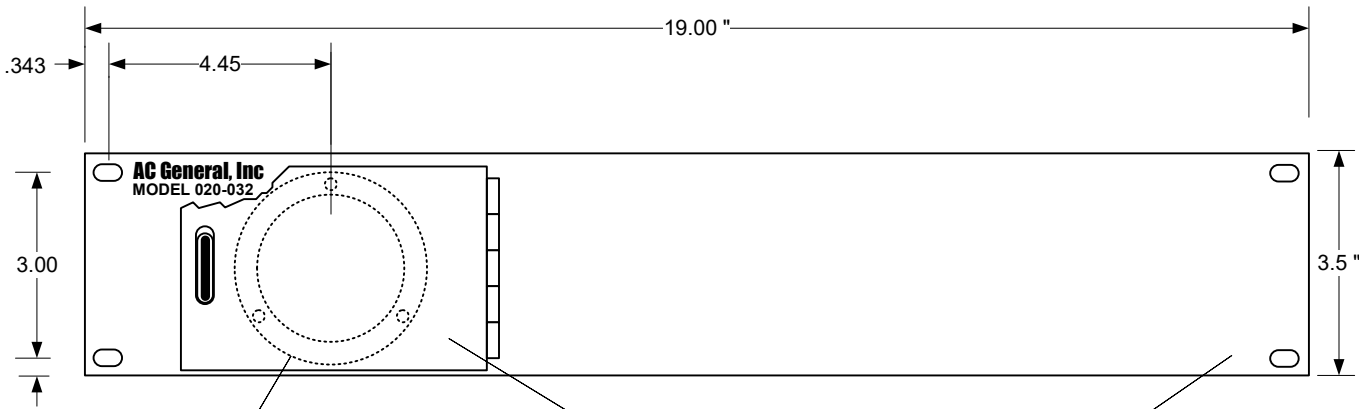


REV.	DESCRIPTION	DATE	BY
0	Corrected Hole Pattern Info	5/8/18	SB



Hole Dia: 2.09", (3) mounting holes, 3/16" dia., equally spaced on 2.50" bolt circle

Hinged Lockout Cover with hasp thru-hole

Dim: 19.00" x 3.5" x 0.187"
Color: FS 595 Chip 26496 (light gray)
EIA-310D Compliant

Notes:

Designed for (1) NEMA 20 Amp, 30 Amp Locking Flanged Inlet connector:

- L5-20P, L6-20P, L7-20P
- L5-30P, L6-30P, L7-30P

AC General, Inc.		10 Technology Drive #316 Hudson, MA 01749 (978) 568-8229	
Sketch: Single Phase AC Lockout Panel, 20A or 30A			
SK 020-032 Rev 0.vsd	SIZE	FSCM NO	DWG NO SK 020-032
Print date: 9/05/01	SCALE	1 : 1	SHEET 1 OF 1
			REV 0