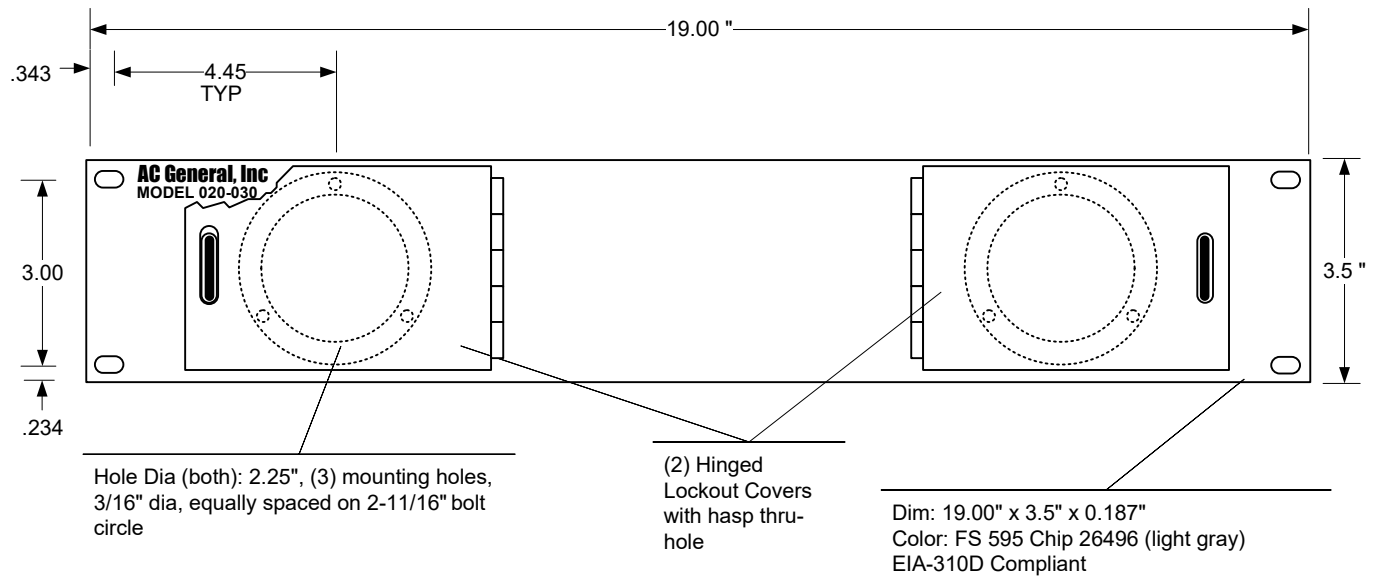


REV.	DESCRIPTION	DATE	BY
0	Initial Release	8/8/95	



Designed for (2) NEMA 20 Amp, 30 Amp, or 20 Amp/400 Hertz Locking Flanged Inlet connector:

- L14-20P, L15-20P, L16-20P, L17-20P, L21-20P, L22-20P, L23-20P
- L14-30P, L15-30P, L16-30P, L17-30P, L21-30P, L22-30P, L23-30P
- 400 Hz, Hubbell 45985CL (non-NEMA)

<b>AC General, Inc.</b>		10 Technology Dr #316 Hudson, MA 01749 (978) 568-8229	
Sketch: AC Lockout Panel, Dual Input, 20 Amp or 30 Amp Three Phase			
SK 020-030 Rev 0.vsd	SIZE	FSCM NO	DWG NO SK 020-030
Print date: 8/16/2024	SCALE	1 : 1	SHEET 1 OF 1

REV  
0