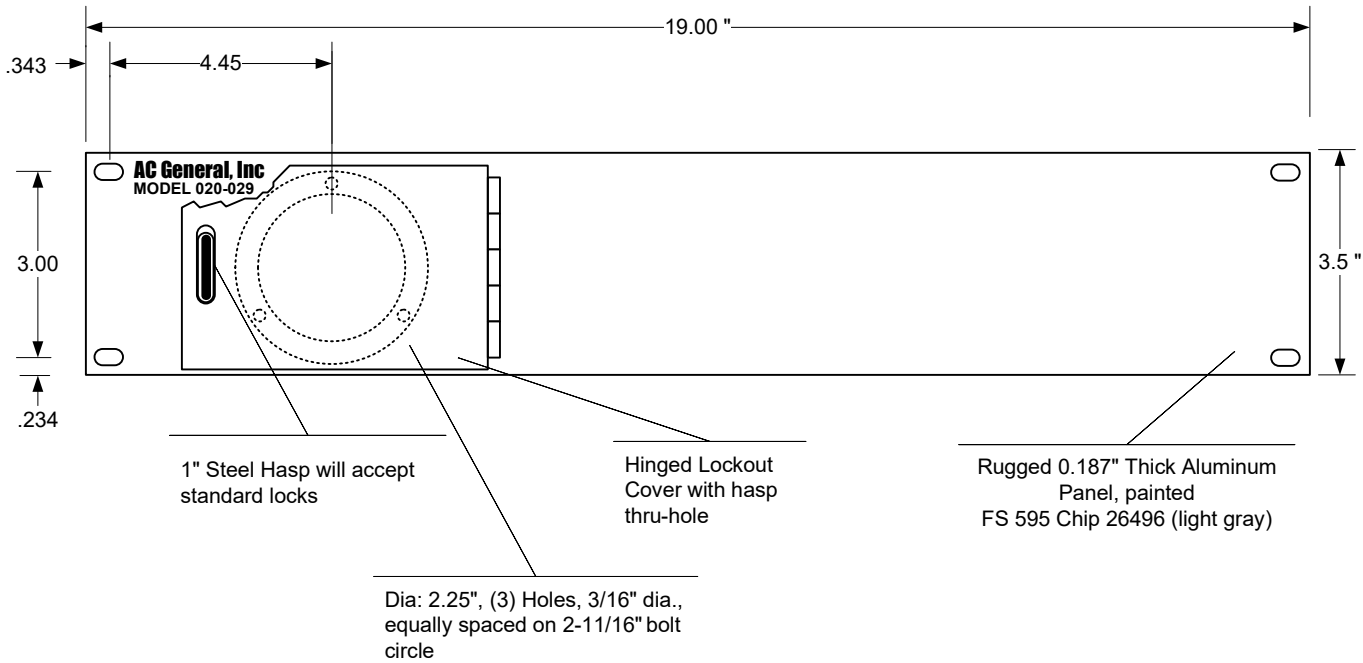


REV.	DESCRIPTION	DATE	BY
0	Correct panel thickness dimension error	2/12/04	jb



Designed for (1) NEMA 20 Amp, 30 Amp, or 20 Amp/400 Hertz Locking Flanged Inlet connector:

- L14-20P, L15-20P, L16-20P, L17-20P, L21-20P, L22-20P, L23-20P
- L14-30P, L15-30P, L16-30P, L17-30P, L21-30P, L22-30P, L23-30P
- 400 Hz, Hubbell 45985CL (non-NEMA)

**AC General, Inc.**

10 Technology Drive #316  
Hudson, MA 01749  
(978) 568-8229

Sketch: Three Phase Inlet Panel with Lockout

SK 020-029 Rev 0.vsd	SIZE	FSCM NO	DWG NO SK 020-029	REV 0
Print date: 8/16/2024	SCALE	1 : 1	SHEET	1 OF 1