

## 60A Three Phase Power Distribution Panels

### Overview

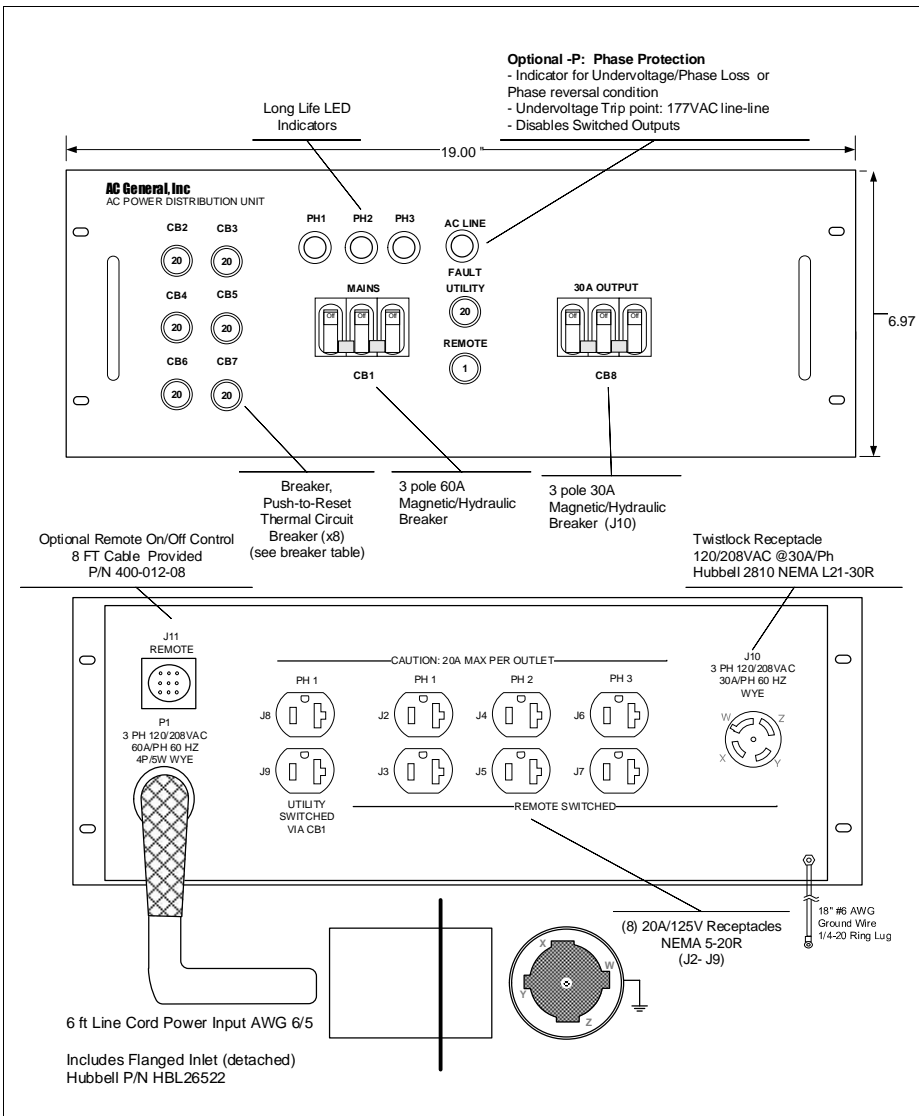
This document highlights standard Three Phase 60Amp 120/208VAC AC General Power Distribution configurations.

All AC General power distribution units (PDUs) are made with UL Listed or Recognized components and solidly built to provide years of trouble-free service life. They feature robust circuit protection, AC line filtering, rugged connectors, and easy to use control options.

*If you don't see a scheme that works for your application, contact us. AC General has an extensive catalog of distribution panels to leverage a solution for your unique needs.*

### Part Number List

- 300-060-60
- 300-060-60R
- 300-060-60R1
- 300-060-60PR1



### Features

- (8) 120V outputs + (1) three phase output 120/208VAC
- Line cord power input
- Main circuit breaker and backup fuses provide 5kA current interrupt rating
- AC Power line filter provides superior noise and transient protection for your equipment
- High quality connectors
- Protective push-to-reset breakers for duplex outputs
- Long lasting LED phase indicators
- Optional Remote Control provides convenient way to switch power. Mating Remote cable is provided
- Optional Phase Monitoring option provides AC line protection for under-voltage, phase loss, and improper phase rotation
- Panel Constructions
  - Depth: 16.00 "
  - Material: Aluminum, chromate coating
  - Color: Light Grey Enamel, FS595 Chip #26496
  - Labelling: Silkscreened

# AC General, Inc.

## Mating Power Connectors

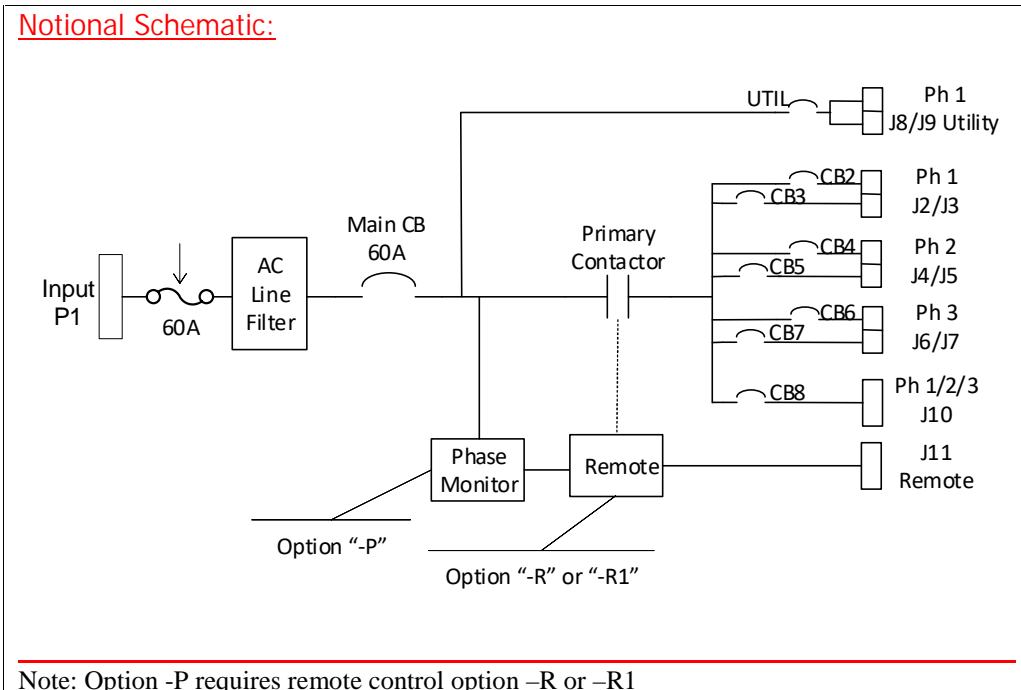
	<b>PDU Connector</b>	<b>Mating Connector</b>
<b>Power Input</b>	Hubbell 26522, 4P/5Wire Flanged Inlet (included, detached)	Hubbell 26516, 4P/5Wire Connector Body
<b>Three Phase Output</b>	NEMA L21-30R	Hubbell 2511 NEMA L21-30P, 4P/5Wire Plug
<b>Duplex Outlets</b>	NEMA 5-20R	NEMA 5-15P or 5-20P, 2P/3Wire Plug

## Circuit Breaker Table

<b>Breaker</b>	<b>Function</b>	<b>Rating</b>
CB1	Panel Mains	60A 3-Pole, UL1077 Magnetic/Hydraulic (*)
CB2	J2	20A 1-Pole Thermal, UL 1077
CB3	J3	20A 1-Pole Thermal, UL 1077
CB4	J4	20A 1-Pole Thermal, UL 1077
CB5	J5	20A 1-Pole Thermal, UL 1077
CB6	J6	20A 1-Pole Thermal, UL 1077
CB7	J7	20A 1-Pole Thermal, UL 1077
CB8	J10	30A 3-Pole, UL1077 Magnetic/Hydraulic
UTILITY	J8/J9	20A 1-Pole Thermal, UL 1077
REM	Remote Circuit	1A 1-Pole Thermal, UL 1077

(\*) An internal RK5 Current Limiting fuse is wired in series with each phase and provides 5000A short circuit interrupt rating per phase

## Notional Schematic:



Note: Option -P requires remote control option -R or -R1