

30A Three Phase Power Distribution Panels

Overview

This document highlights standard Three Phase 30Amp 120/208VAC AC General Power Distribution configurations.

All AC General power distribution units (PDUs) are made with UL Listed or Recognized components and solidly built to provide years of trouble-free service life. They feature robust circuit protection, AC line filtering, rugged connectors, and easy to use control options.

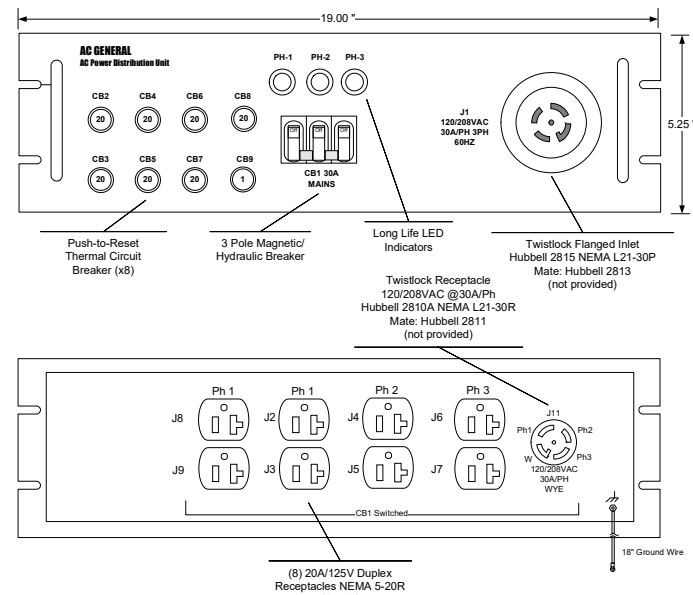
If you don't see a scheme that works for your application, contact us. AC General has an extensive catalog of distribution panels to leverage a solution for your unique needs.

Part Number List

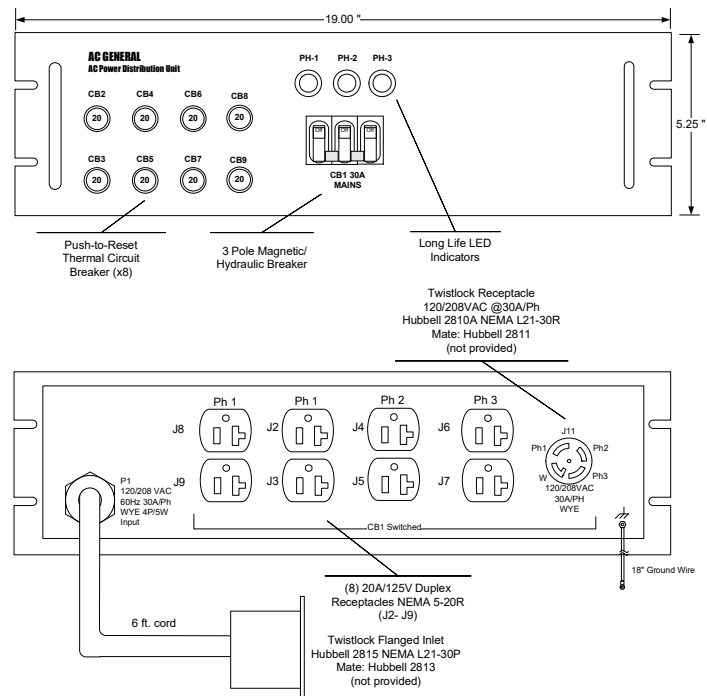
- 030-060-30
- 030-060-30R
- 030-060-30R1
- 030-060-30PR1

- 300-060-30
- 300-060-30R
- 300-060-30R1
- 300-060-30PR1

Part Number 030-060-30



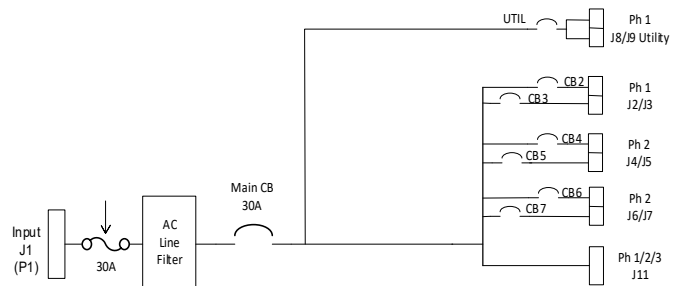
Part Number 300-060-30



Common Features

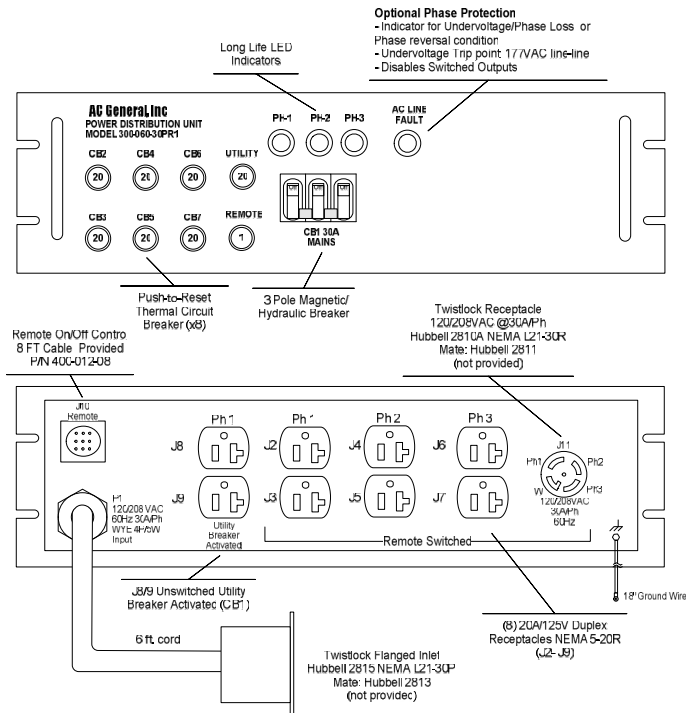
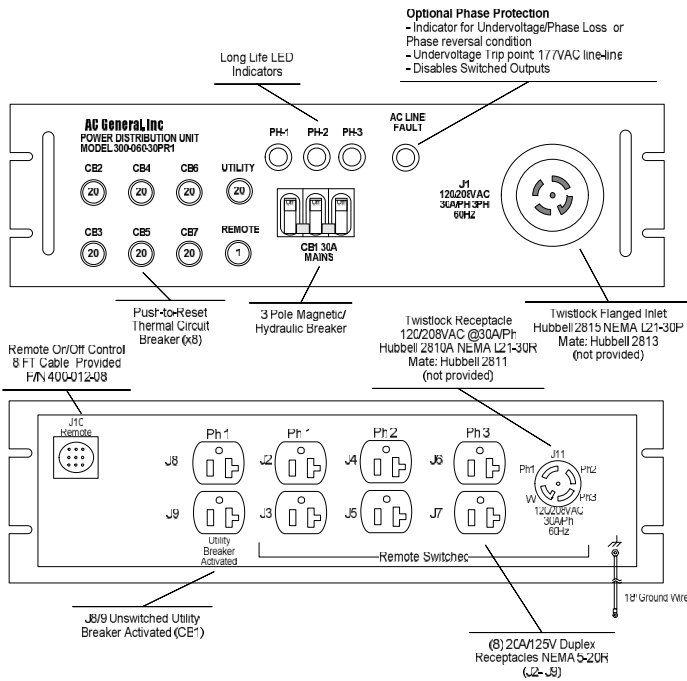
- (8) 120V outputs + (1) three phase output 120/208VAC
- Power input: Front panel bulkhead or 6 ft. line cord
- Main circuit breaker and backup fuses provide 5kA current interrupt rating
- AC Power line filter provides superior noise and transient protection for your equipment
- High quality connectors
- Protective push-to-reset breakers for duplex outputs
- Long lasting LED phase indicators

Notional Schematic



**P/N 030-060-30R,
P/N 030-060-30R1,
P/N 030-060-30PR1**

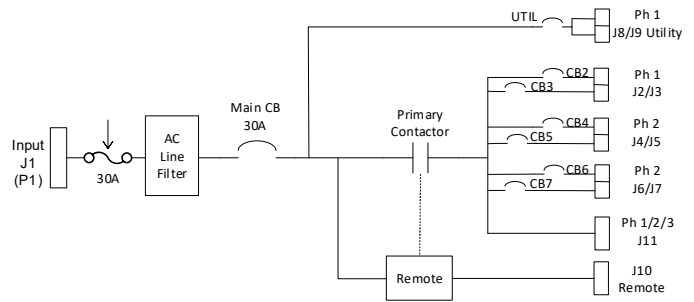
**P/N 300-060-30R,
P/N 300-060-30R1,
P/N 300-060-30PR1**



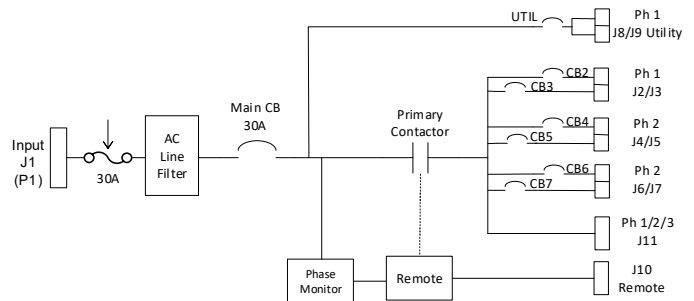
Common Features

- (8) 120V outputs + (1) three phase output 120/208VAC
- Power input: Front panel bulkhead or 6 ft. line cord
- Main circuit breaker and backup fuses provide 5kA current interrupt rating
- AC Power line filter provides superior noise and transient protection for your equipment
- Remote Control option provides convenient way to switch power. Mating Remote cable is provided with PDU
- Phase Monitoring option provides AC line protection for under-voltage, phase loss, and improper phase rotation
- High quality connectors
- Utility/Convenience output provides an unswitched source of power for station computers or other constant-ON equipment
- Protective push-to-reset breakers for duplex outputs
- Long lasting LED phase indicators

Notional Schematic (Remote Control)



Notional Schematic (Remote + Phase Protection)



<u>Mating Power Connectors</u>		
	PDU Connector	Mating Connector
Power Input	NEMA L21-30P	NEMA L21-30R, Hubbell 2513, 4P/5Wire Connector Body
Three Phase Output	NEMA L21-30R	NEMA L21-30P, Hubbell 2511, 4P/5Wire Plug
Duplex Outlets	NEMA 5-20R	NEMA 5-15P or 5-20P, 2P/3Wire Plug

<u>Circuit Breaker Table</u>		
Breaker	Function	Rating
CB1	Panel Mains	30A 3-Pole, UL1077 Magnetic/Hydraulic (*)
CB2	J2	20A 1-Pole Thermal, UL 1077
CB3	J3	20A 1-Pole Thermal, UL 1077
CB4	J4	20A 1-Pole Thermal, UL 1077
CB5	J5	20A 1-Pole Thermal, UL 1077
CB6	J6	20A 1-Pole Thermal, UL 1077
CB7	J7	20A 1-Pole Thermal, UL 1077
UTIL	J8/J9	20A 1-Pole Thermal, UL 1077
REM	Remote Circuit	1A 1-Pole Thermal, UL 1077

(*) An internal RK5 Current Limiting fuse is wired in series with each phase and provides 5000A short circuit interrupt rating