

60A Three Phase Power Distribution Panels

Overview

This document highlights standard 60Amp AC General Power Distribution configurations.

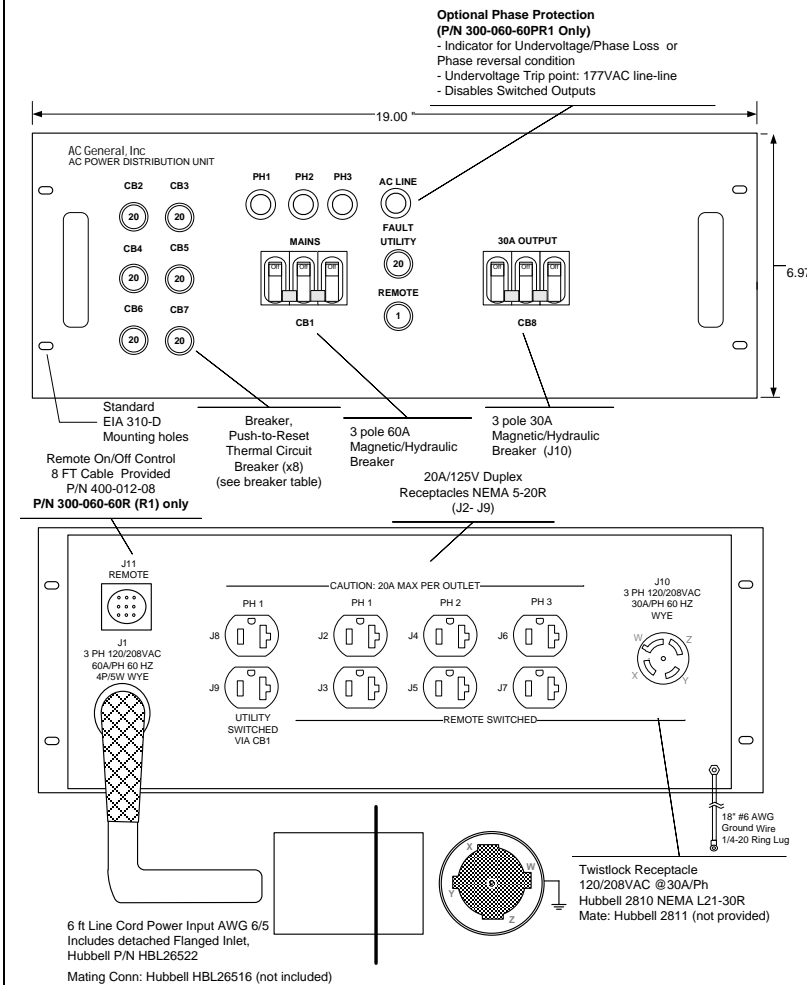
All AC General power distribution units (PDUs) are made with UL Listed or Recognized components and solidly built to provide years of trouble-free service life.

If you don't see a scheme that works for your application, contact us. AC General has created a wide catalog of distribution panels to leverage a solution for your unique needs.

Part Number List

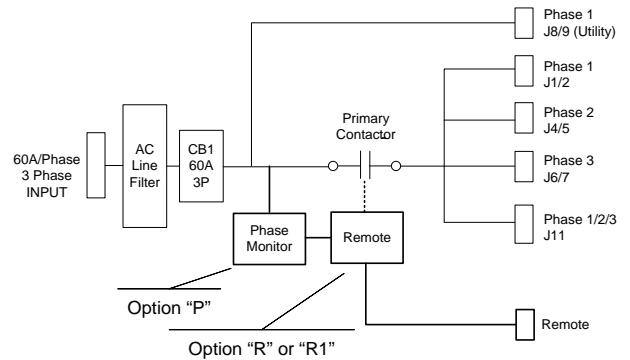
- 300-060-60
- 300-060-60R
- 300-060-60R1
- 300-060-60PR1

Part Number 030-060-60



- (8) 120V duplex outputs + (1) three phase 30A output
- Line cord power input
- AC Power line filter provides superior noise protection for your equipment
- Long lasting LED phase indicators
- High quality connectors
- Protective push-to-reset breakers for duplex outputs
- Optional Remote Control provides convenient way to switch power. Mating Remote cable is provided
- Optional Phase Monitoring option provides AC line protection for under-voltage, phase loss, and improper phase rotation

Notional Schematic



AC General, Inc.

Mating Power Connectors

Power Input Mate	Hubbell 26516, 4P/5Wire Connector Body
Three Phase Output Mate	Hubbell 2511 NEMA L21-30P, 4P/5Wire Plug
Duplex Outputs	NEMA 5-15P or 5-20P, 2P/3Wire Plug

Circuit Breaker Table

<u>Breaker</u>	<u>Function</u>	<u>Rating</u>
CB1	Panel Mains	60A
CB2	J2	20A
CB3	J3	20A
CB4	J4	20A
CB5	J5	20A
CB6	J6	20A
CB7	J7	20A
CB8	J10	30A
UTILITY	J8/9	20A
REMOTE	Remote Circuit	1A

Notes:

Chassis depth: 16.00 "
Construction: Alum, chromate coating
Front: Lt Grey Enamel, FS595 Chip #26496
Silkscreen Labeling