

## 30A Three Phase Power Distribution Panels

### Overview

This document highlights standard 30Amp AC General Power Distribution configurations.

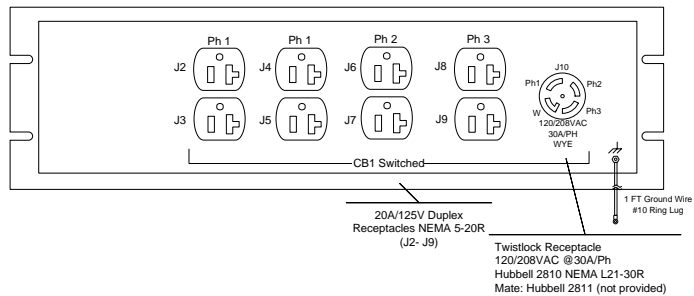
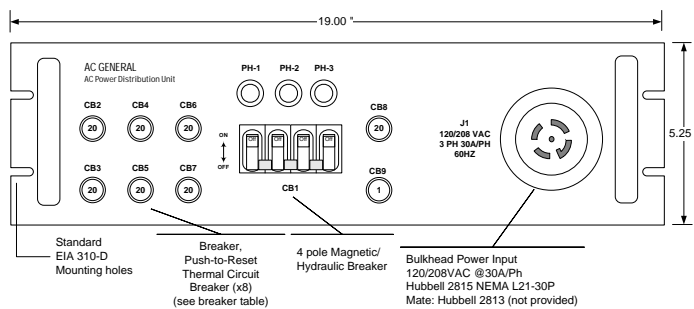
All AC General power distribution units (PDUs) are made with UL Listed or Recognized components and solidly built to provide years of trouble-free service life.

*If you don't see a scheme that works for your application, contact us. AC General has created a wide catalog of distribution panels to leverage a solution for your unique needs.*

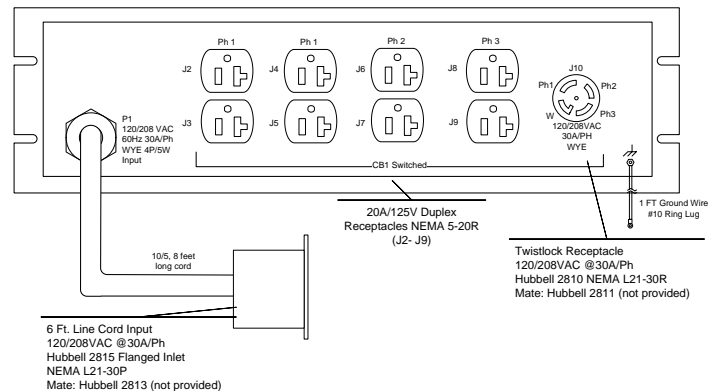
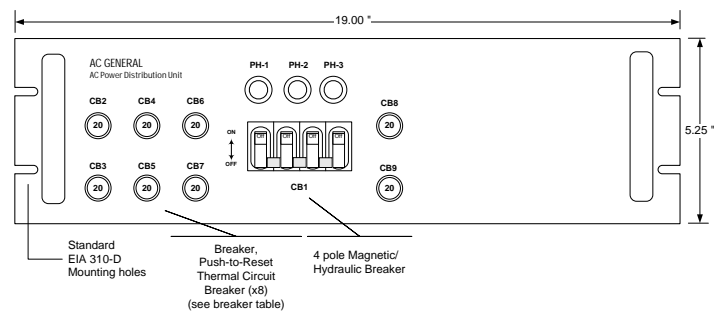
### Part Number List

- 030-060-30
- 030-060-30R
- 030-060-30R1
- 030-060-30PR1
  
- 300-060-30
- 300-060-30R
- 300-060-30R1
- 300-060-30PR1

### Part Number 030-060-30

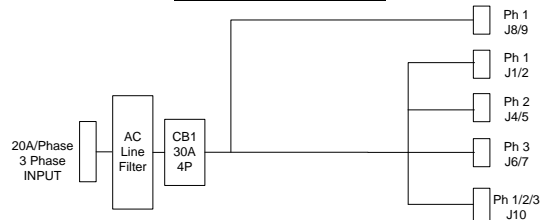


### Part Number 300-060-30



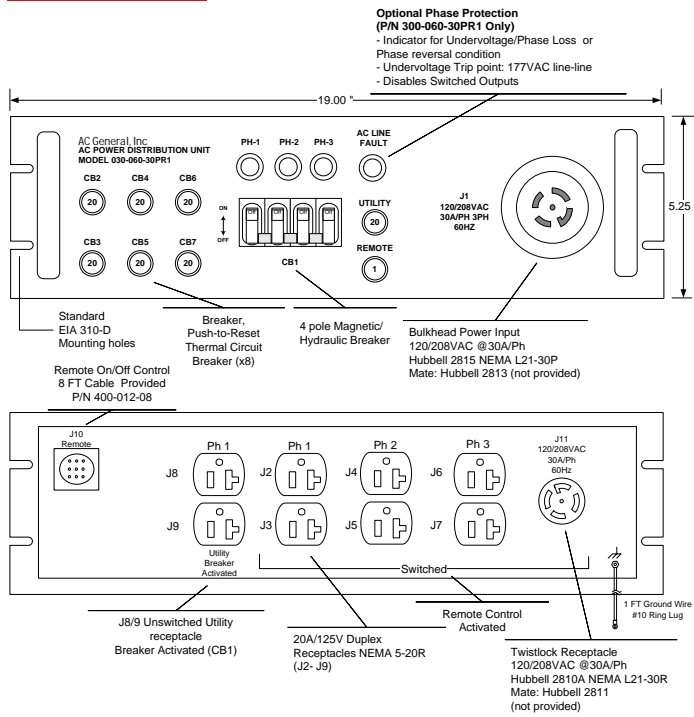
- (8) 120V duplex outputs + (1) three phase output
- Front panel bulkhead power input or 6 ft. line cord input
- Power switched via main circuit breaker
- AC Power line filter provides superior noise and transient protection for your equipment
- High quality connectors
- Protective push-to-reset breakers for duplex outputs
- Long lasting LED phase indicators

### Notional Schematic

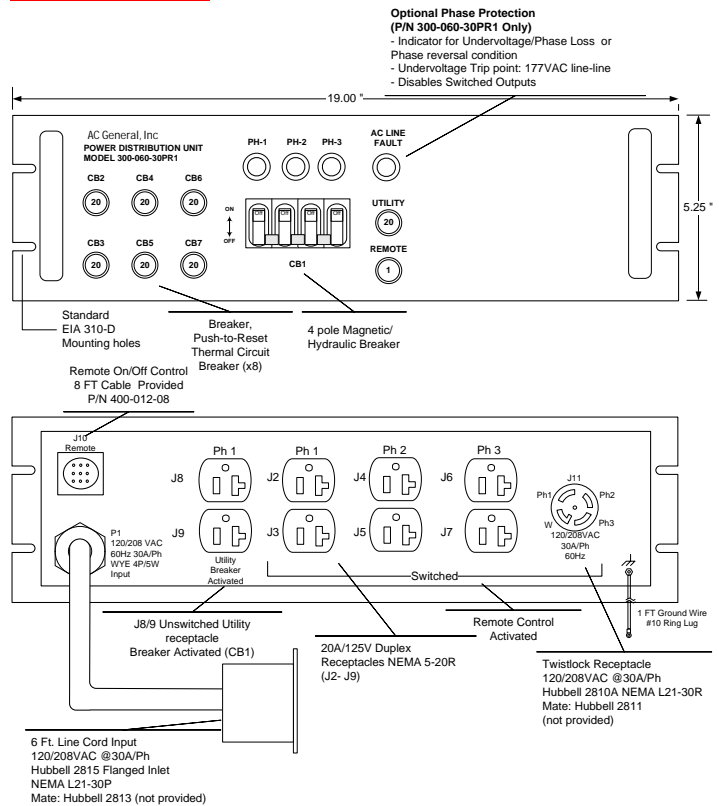


# AC General, Inc.

**030-060-30R,  
030-060-30R1,  
030-060-30PR1**

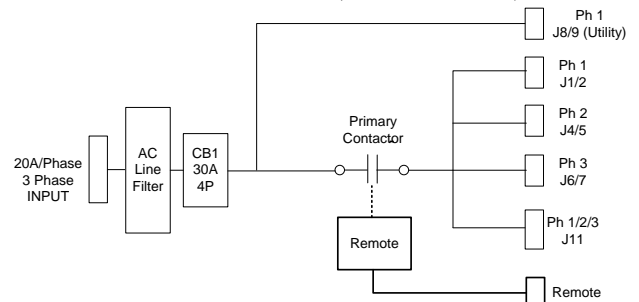


**300-060-30R,  
300-060-30R1,  
300-060-30PR1**

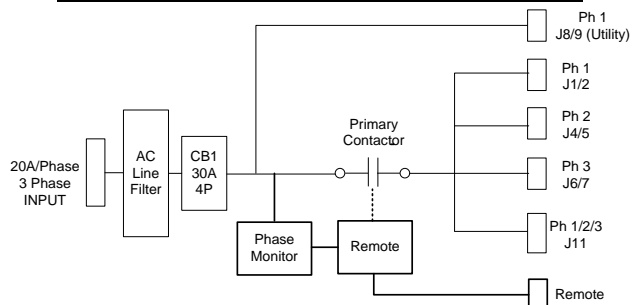


- (8) 120V duplex outputs + (1) three phase output
- Front panel bulkhead power input or 6 ft. line cord input
- AC Power line filter provides superior noise and transient protection for your equipment
- Remote Control provides convenient way to switch power. Mating Remote cable is provided
- Phase Monitoring option provides AC line protection for under-voltage, phase loss, and improper phase rotation High quality connectors
- Utility output provides an unswitched source of power for station computers or other constant-ON equipment
- Protective push-to-reset breakers for duplex outputs
- Long lasting LED phase indicators

## Notional Schematic (Remote Control)



## Notional Schematic (Remote + Phase Protection)



# AC General, Inc.

---

## Mating Power Connectors

Power Input Mate	Hubbell 2513 NEMA L21-30R, 4P/5Wire Connector Body
Three Phase Output Mate	Hubbell 2511 NEMA L21-30P, 4P/5Wire Plug
Duplex Outputs	NEMA 5-15P or 5-20P, 2P/3Wire Plug

## CIRCUIT BREAKER TABLE

<u>Breaker</u>	<u>Function</u>	<u>Rating</u>
CB1	Panel Mains, J11	30A
CB2	J2	20A
CB3	J3	20A
CB4	J4	20A
CB5	J5	20A
CB6	J6	20A
CB7	J7	20A
CB8	J8	20A
CB9	J9	20A