

## 400 Hz 20A Three Phase Power Distribution Panels

### Overview

This document highlights standard 20Amp/400Hz AC General Power Distribution configurations.

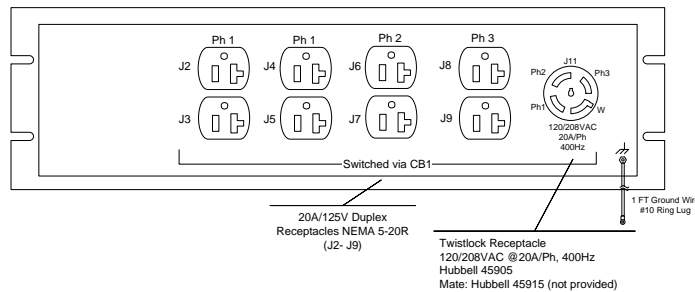
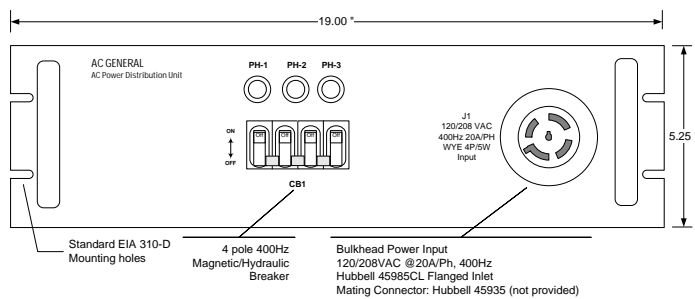
All AC General power distribution units (PDUs) are made with UL Listed or Recognized components and solidly built to provide years of trouble-free service life.

*If you don't see a scheme that works for your application, contact us. AC General has created a wide catalog of distribution panels to leverage a solution for your unique needs.*

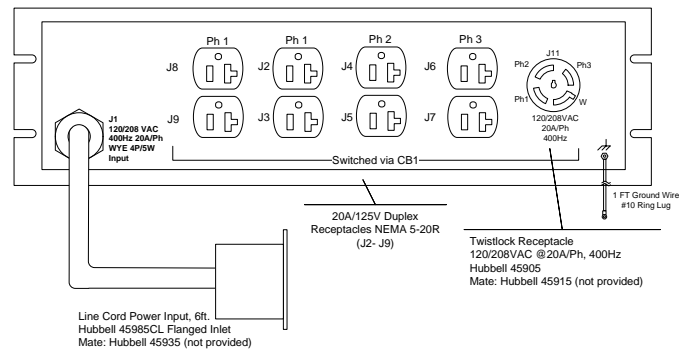
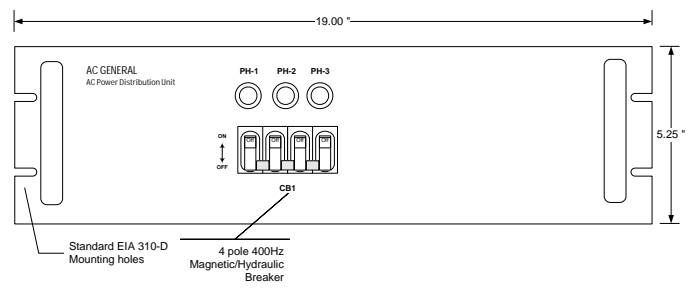
### Part Number List

- 030-400-20
- 030-400-20R
- 030-400-20R1
- 030-400-20PR1
  
- 300-400-20
- 300-400-20R
- 300-400-20R1
- 300-400-20PR1

### Part Number 030-400-20

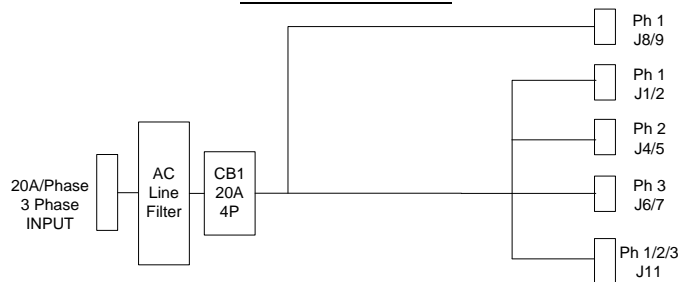


### Part Number 300-400-20



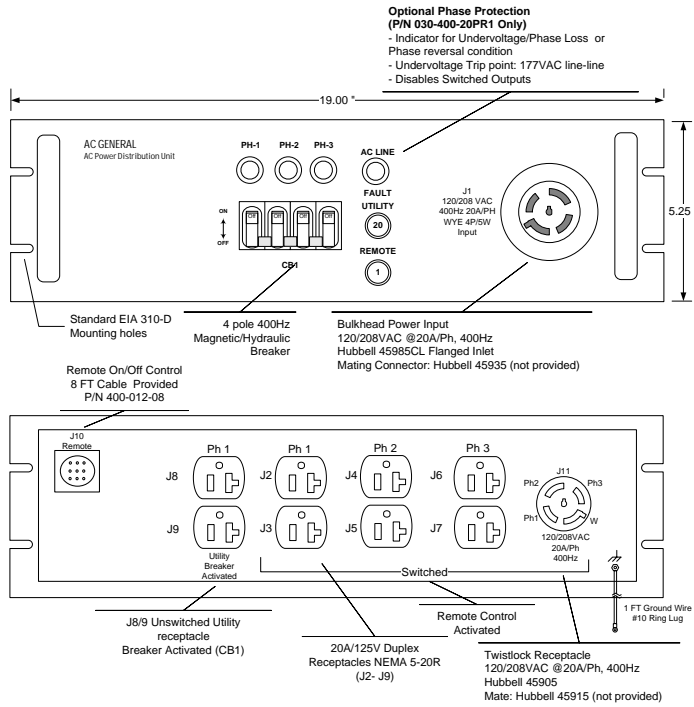
- (8) 120V duplex outputs + (1) three phase output
- Front panel bulkhead power input or 6 ft. line cord input
- Unique three phase power input connector keying dedicated for 400Hz
- Output power switched via main circuit breaker
- AC Power line filter provides superior noise and transient protection for your equipment
- Long lasting LED phase indicators
- High quality connectors

### Notional Schematic

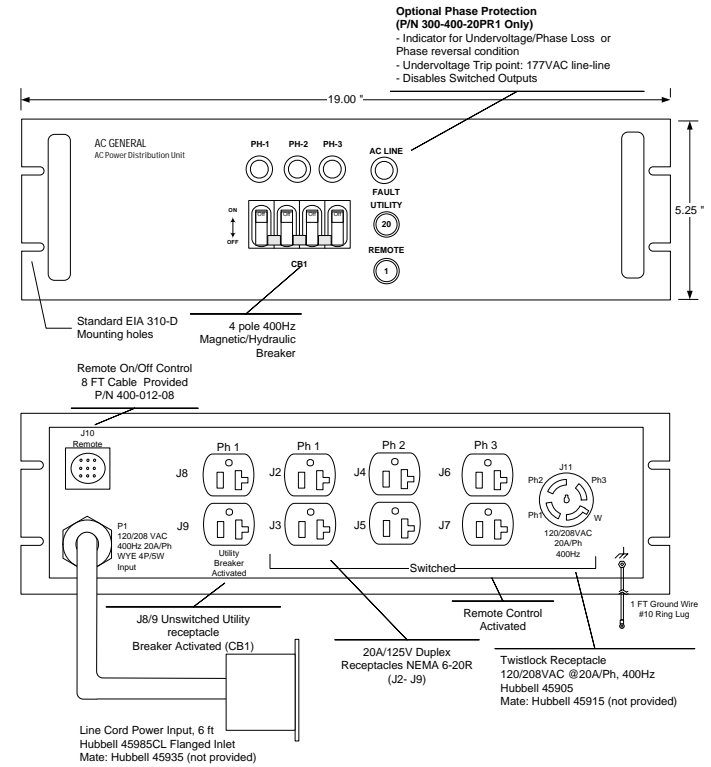


# AC General, Inc.

**030-400-20R,  
030-400-20R1,  
030-400-20PR1**

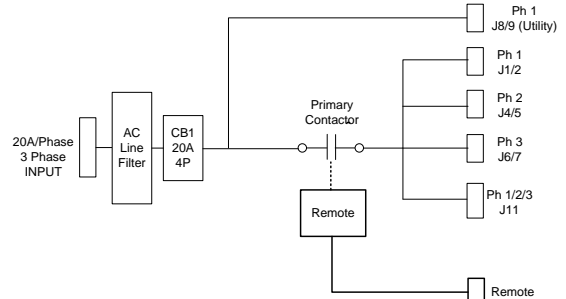


**300-400-20R,  
300-400-20R1,  
300-400-20PR1**

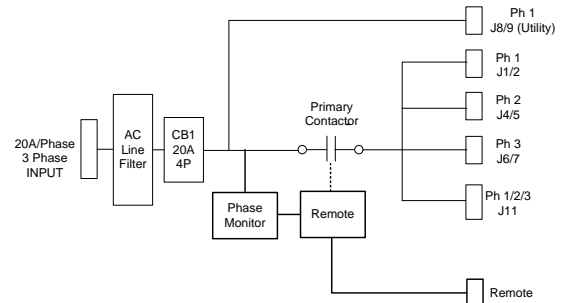


- (8) 120V duplex outputs + (1) three phase output
- Front panel bulkhead power input or 6 ft. line cord input
- Unique three phase power input connector keying dedicated for 400Hz
- AC Power line filter provides superior noise and transient protection for your equipment
- Remote Control provides convenient way to switch power. Mating Remote cable is provided
- Phase Monitoring option provides AC line protection for under-voltage, phase loss, and improper phase rotation High quality connectors
- Utility output provides an unswitched source of power for station computers or other constant-ON equipment
- Long lasting LED phase indicators
- High quality connectors

## Notional Schematic (Remote Control)



## Notional Schematic (Remote + Phase Protection)



# AC General, Inc.

---

## Mating Power Connectors

Power Input Mate	Hubbell 45935, 4P/5Wire Connector Body
Three Phase Output Mate	Hubbell 45915, 4P/5Wire Plug
Duplex Outputs	NEMA 5-15P or 5-20P, 2P/3Wire Plug

## CIRCUIT BREAKER TABLE

<u>Breaker</u>	<u>Function</u>	<u>Rating</u>
CB1	Panel Mains, J11	20A
CB2	J2	20A