

## 30A Single Phase Power Distribution Panels

### Overview

This document highlights standard 30Amp AC General Single Phase Power Distribution configurations.

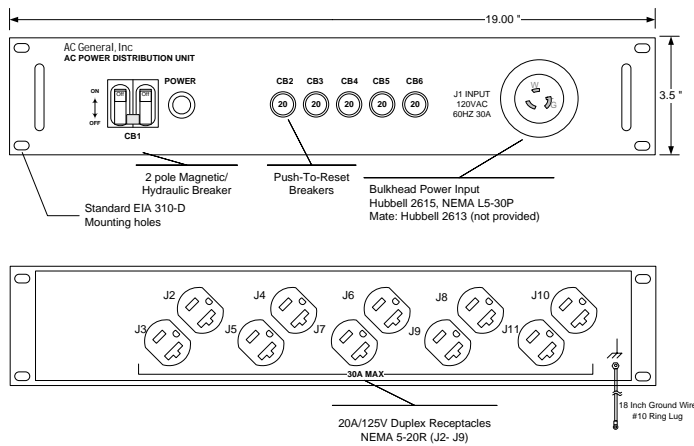
All AC General are made with UL Listed or Recognized components and solidly built to provide years of trouble-free service life.

*If you don't see a scheme that works for your application, contact us. AC General has created a wide catalog of distribution panels to leverage a solution for your unique needs.*

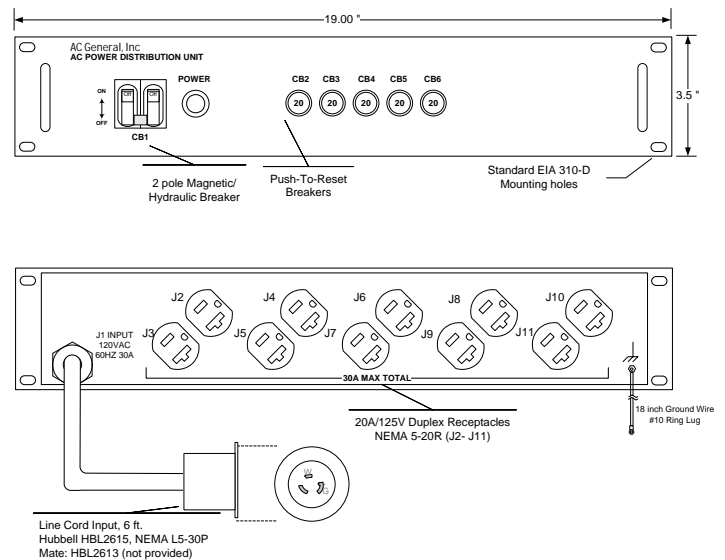
### Part Number List

- 010-120-30
- 010-120-30R
- 010-120-30R1
- 010-120-30PR1
  
- 100-120-30
- 100-120-30R
- 100-120-30R1
- 100-120-30PR1

### Part Number 010-120-30



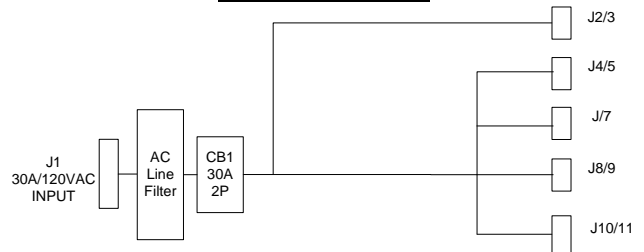
### Part Number 100-120-30



**Notes:**  
 - Chassis Depth is 9"  
 - Weight is approx 9 lbs

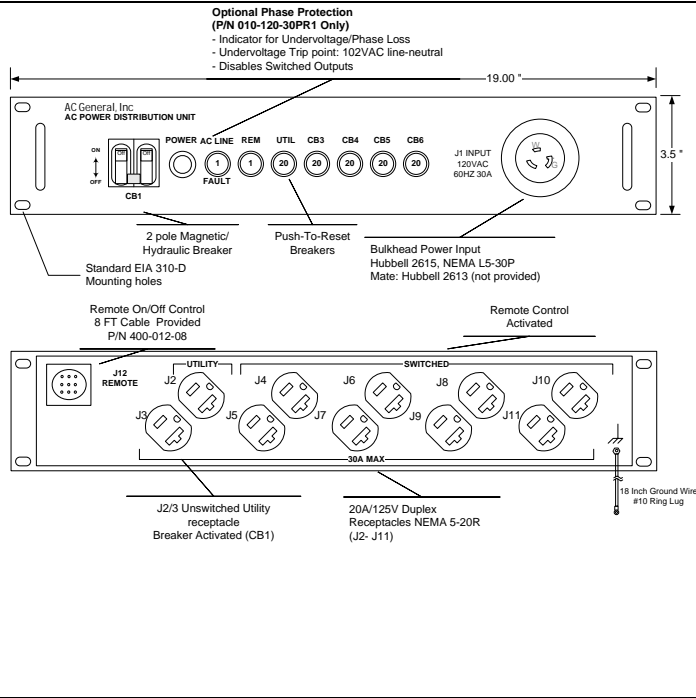
- (10) 120V duplex outputs
- Front panel bulkhead power input or 6 ft. line cord input
- Power switched via main circuit breaker
- AC Power line filter provides superior noise and transient protection for your equipment
- Long lasting LED phase indicators
- High quality connectors

### Notional Schematic

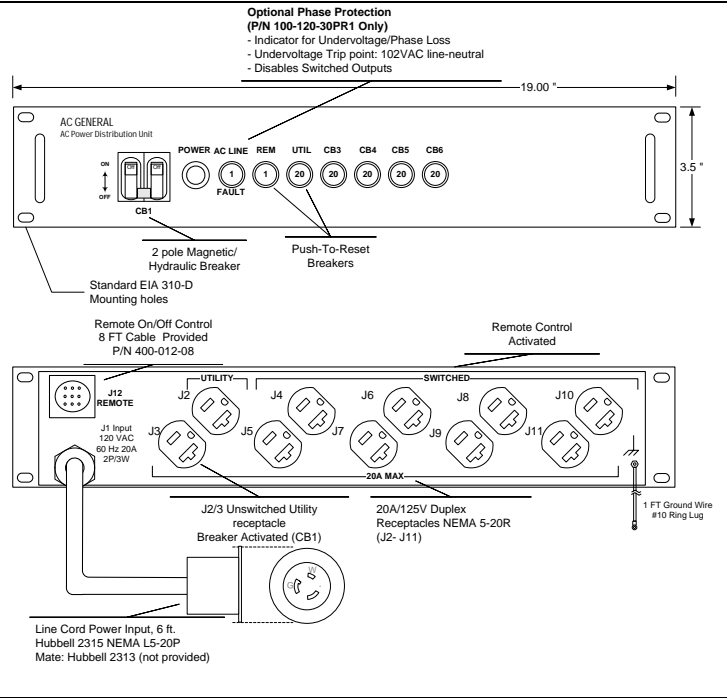


# AC General, Inc.

**010-120-30R,  
010-120-30R1,  
010-120-30PR1**

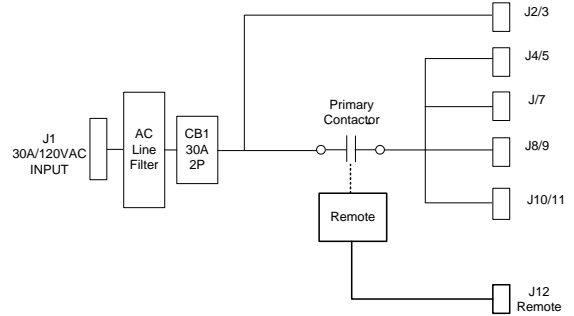


**100-120-30R,  
100-120-30R1,  
100-120-30PR1**

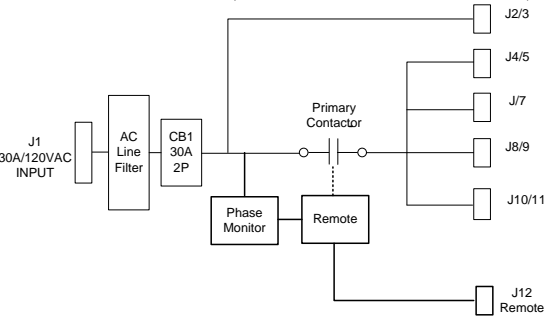


- (10) 120V duplex outputs
- Front panel bulkhead power input or 6 ft. line cord input
- Utility output provides an unswitched source of power for station computers or other constant-ON equipment
- Remote Control option provides convenient way to switch power. Mating Remote cable is provided
- Phase Monitoring provides AC line protection for under-voltage Long lasting
- LED phase indicators

## Notional Schematic (Remote Control)



## Notional Schematic (Remote + Phase Protection)



# AC General, Inc.

---

## Mating Power Connectors

Power Input Mate  
Duplex Outputs

Hubbell 2613, NEMA L5-30P, 2P/3Wire Connector Body  
NEMA 5-15P or 5-20P, 2P/3Wire Plug

## Breaker Table

<b>CB</b>	<b>Function</b>
1	Mains (All)
2	J2/3
3	J4/5
4	J6/7
5	J8/9
5	J10/11