

20A 400Hz Single Phase Power Distribution Panels

Overview

This document highlights standard 20Amp 400 Hz Single Phase Power Distribution configurations.

All AC General are made with UL Listed or Recognized components and solidly built to provide years of trouble-free service life. The 400Hz panels are configured with a unique 400Hz rated twist locking power connector to prevent inadvertent connection to 60Hz power.

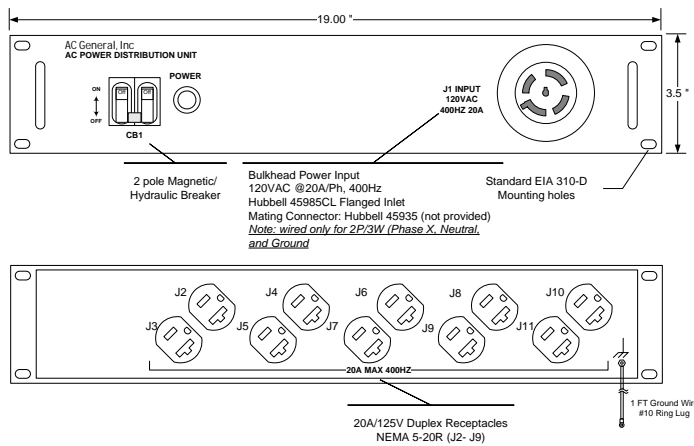
If you don't see a 400Hz scheme that works for your application, contact us. AC General has created many 400Hz panel configurations to meet unique needs.

Part Number List

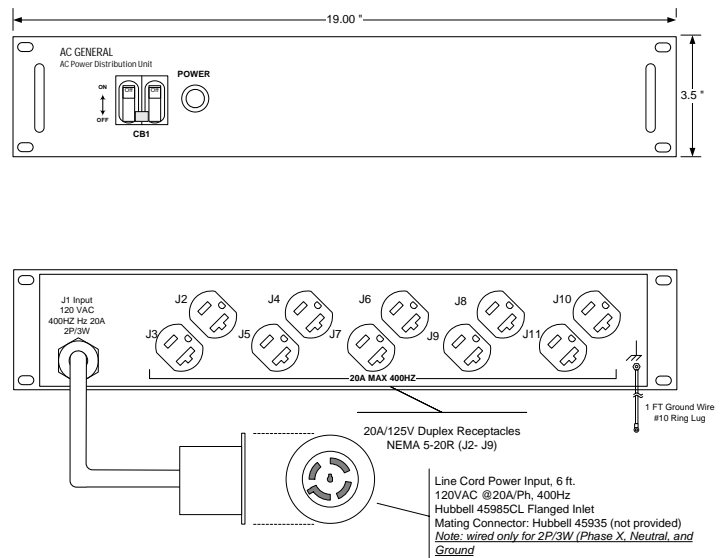
- 010-400-20
- 010-400-20R
- 010-400-20R1
- 010-400-20PR1

- 100-400-20
- 100-400-20R
- 100-400-20R1
- 100-400-20PR1

Part Number 010-400-20

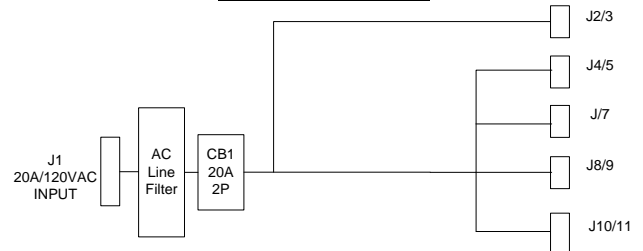


Part Number 100-400-20



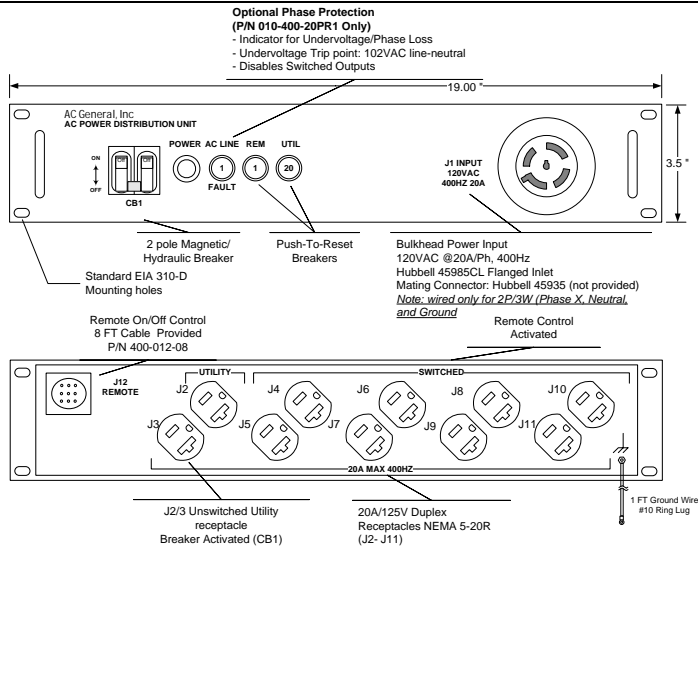
- (10) 120V duplex outputs
- Front panel bulkhead power input or 6 ft. line cord input
- Power switched via 400Hz main circuit breaker
- AC Power line filter provides superior noise and transient protection for your equipment
- Long lasting LED phase indicators
- High quality connectors
- Unique 400Hz power input connector

Notional Schematic

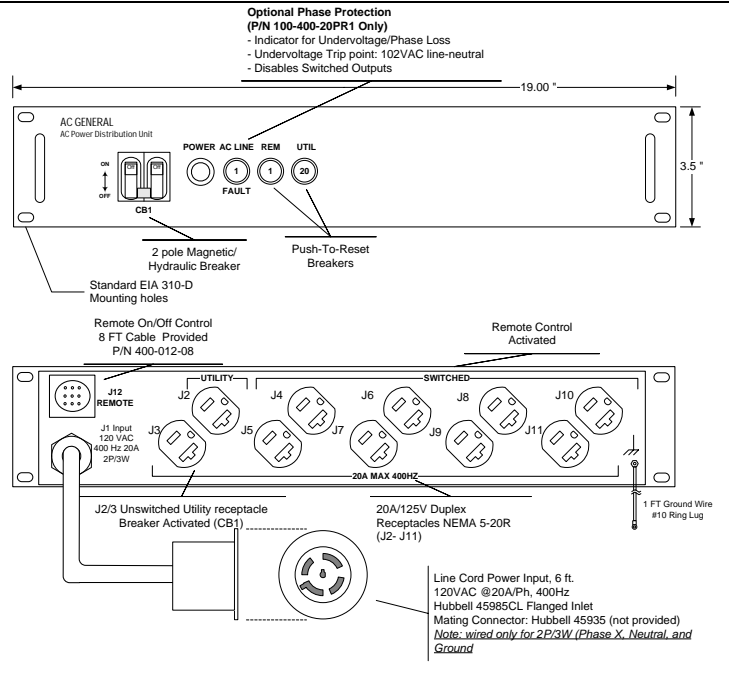


AC General, Inc.

**010-400-20R,
010-400-20R1,
010-400-20PR1**

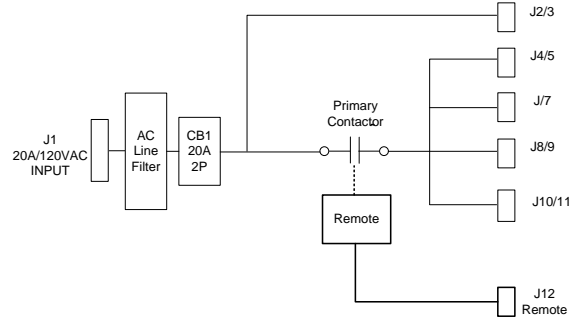


**100-400-20R,
100-400-20R1,
100-400-20PR1**

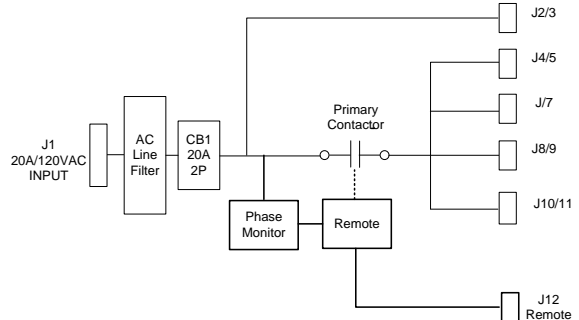


- (10) 120V duplex outputs
- Front panel bulkhead power input or 6 ft. line cord input
- Utility output provides an unswitched source of power for station computers or other constant-ON equipment
- Remote Control option provides convenient way to switch power. Mating Remote cable is provided
- Phase Monitoring provides AC line protection for under-voltage
- Long lasting LED phase indicators
- Unique 400Hz power input connector

Notional Schematic (Remote Control)



Notional Schematic (Remote + Phase Protection)



AC General, Inc.

Mating Power Connectors

Power Input Mate

Hubbell 45935 (non-NEMA), 4P/5Wire Connector Body, only 2P/3W utilized (see diagram below)

Duplex Outputs

NEMA 5-15P or 5-20P, 2P/3Wire Plug

Mating Power Connector Wiring Configuration



Phase (Hot)

Neutral
Ground