

Power Cables

Overview

This document highlights common power cables provided by AC General.

Why make you your own cables? AC General can provide you with power cables made with rock solid industrial quality connectors and strong flexible cable. All connectors are identified with service rating and possess excellent gripping design for easy insertion/removal. These cables are ideal for ATE applications, equipment racks, and for factory/depot test environments.

Of course, if you don't spot a power cable that works for your application, contact AC General. We can provide you the exact configuration you need.



Connector Types



Plug

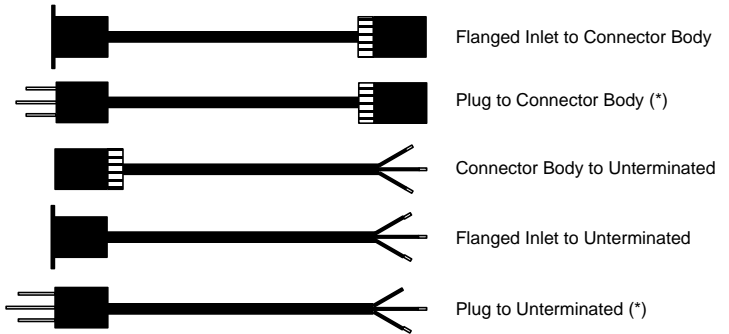


Connector Body



Flanged Inlet

Cable Configurations (*)



(*) For simplicity, only 2P/3W configurations are illustrated

Specifications

Power cable

20A 125V Service: Type SO, 600V rated, AWG 12/3, Grounded
 30A 125V Service: Type SO, 600V rated, AWG 10/3, Grounded
 20A 120/208V Service: Type SO, 600V, rated AWG 12/5, Grounded
 30A 120/208V Service: Type SO, 600V, rated AWG 12/5, Grounded

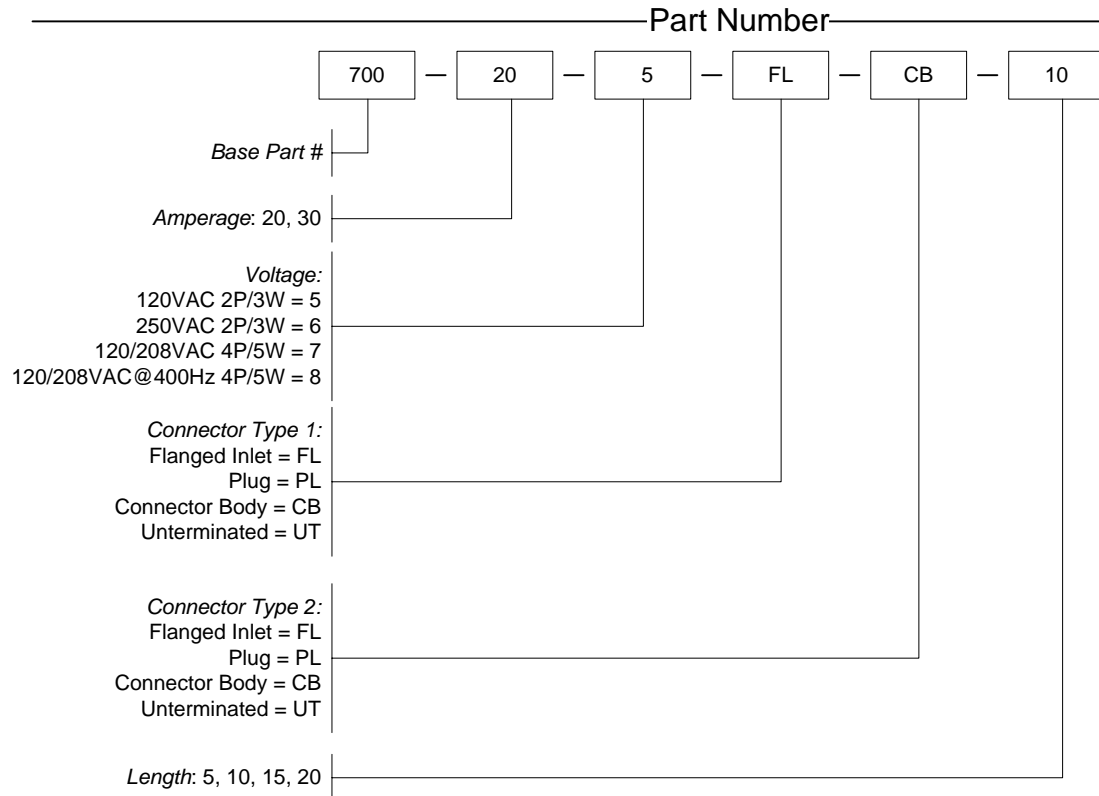
Connectors

All connectors are "locking", UL Listed

Labels

Cable ends are labelled "P1", "P2". Other labelling is available upon request

Ordering Information



Note: The three phase 4P/5W 400Hz cable is only available in 20A

To specify a power cable:

- Create a part number by determining your Amperage, Voltage, Connector types on either end, and cable length
- Request a Quote from AC General for the part number(s)